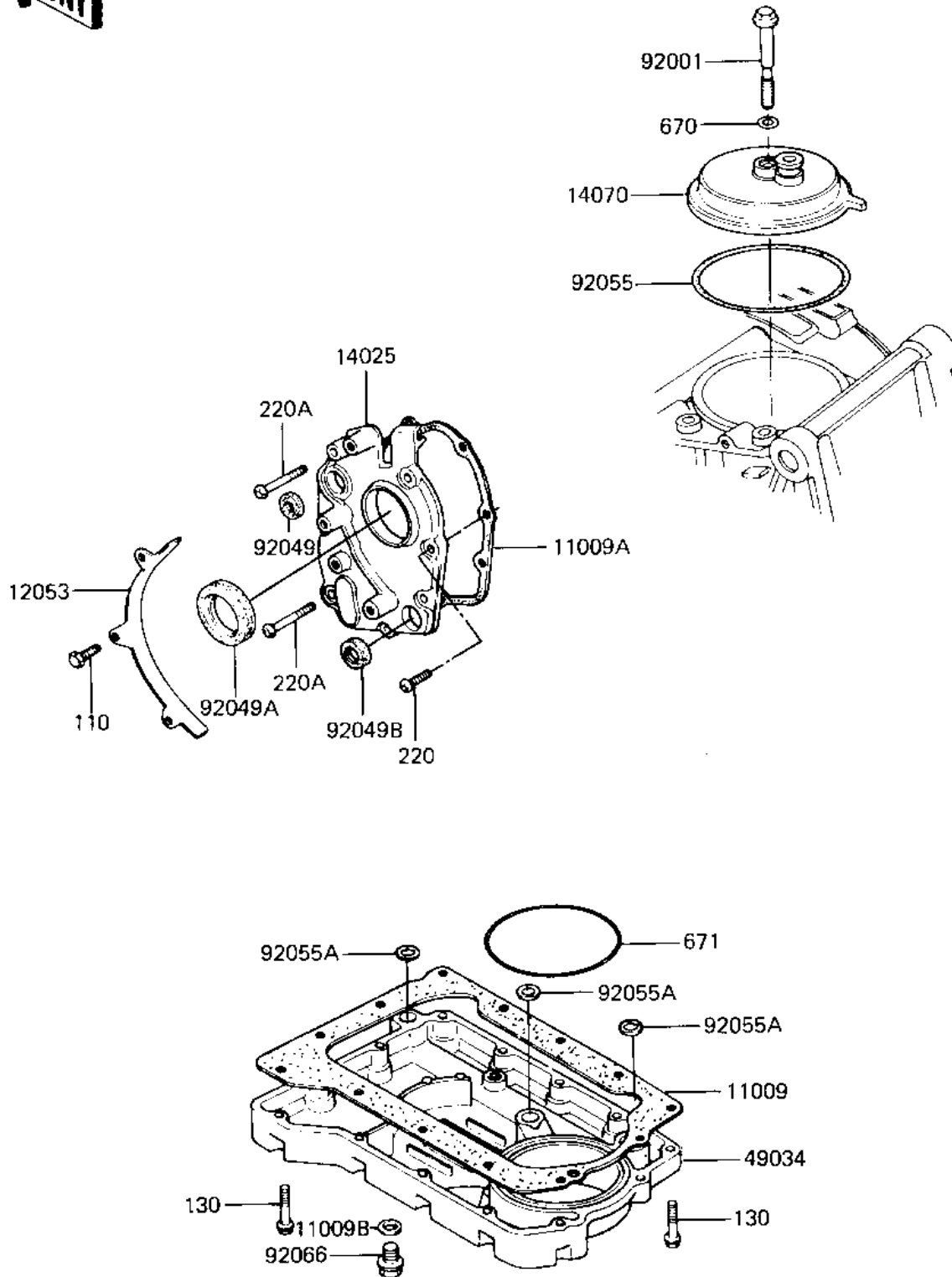


## 1982 KZ550 Standard PARTS DIAGRAM

BREATHER COVER/OIL PAN ('82-'83 A3/A4)

E:1432-0003



## 1982 KZ550 Standard PARTS LIST

BREATHER COVER/OIL PAN ('82-'83 A3/A4)

ITEM NAME	PART NUMBER	QUANTITY
GASKET,OIL PAN (Ref # 11009)	11060-1057	1
GASKET,TRANSMISSION C (Ref # 11009A)	11060-1056	1
GASKET,DRIN PLUG (Ref # 11009B)	92065-097	1
GUIDE,CHAIN (Ref # 12053)	12053-1006	1
COVER,MISSION (Ref # 14025)	14025-1486	1
BODY-BREATHER (Ref # 14070)	14070-1008	1
PAN,OIL (Ref # 49034)	49034-1002	1
BOLT,HEX HEAD,8X72 (Ref # 92001)	92003-107	1
OIL SEAL,SD-8187 (Ref # 92049)	92049-1017	1
OIL SEAL SC325210 (Ref # 92049A)	92050-024	1
OIL SEAL,TB13225.5 (Ref # 92049B)	92051-005	1
"O" RING,91MM (Ref # 92055)	92055-052	1
"O" RING (Ref # 92055A)	92055-077	1
PLUG,OIL DRAIN,12X15 (Ref # 92066)	92066-1174	1
BOLT-UPSET 6X14 (Ref # 110)	112B0614	1
BOLT,FLANGED,6X25 (Ref # 130)	130G0625	1
SCREW PAN HEAD 6X20 (Ref # 220)	220B0620	1
SCREW PAN HEAD 6X40 (Ref # 220A)	220B0640	1
"O" RING,8MM (Ref # 670)	670B1508	1
"O" RING,90MM (Ref # 671)	671B2590	1