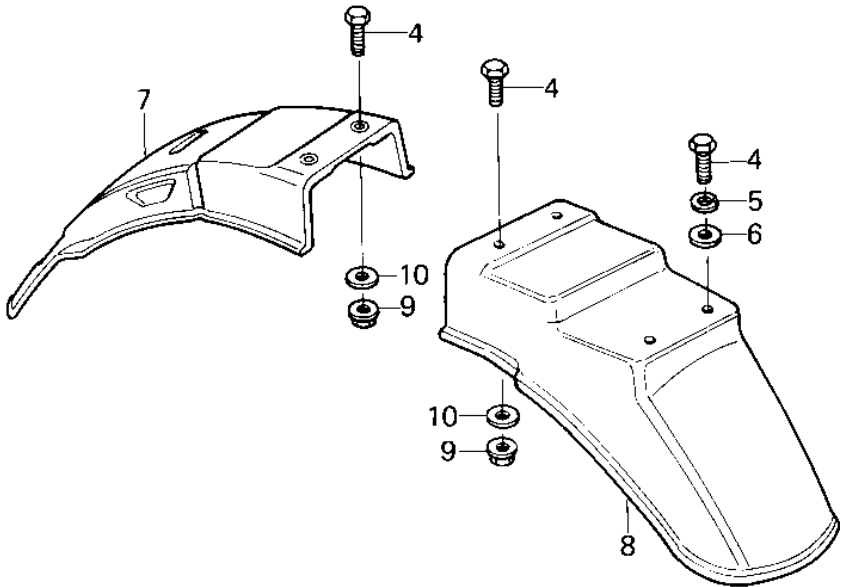
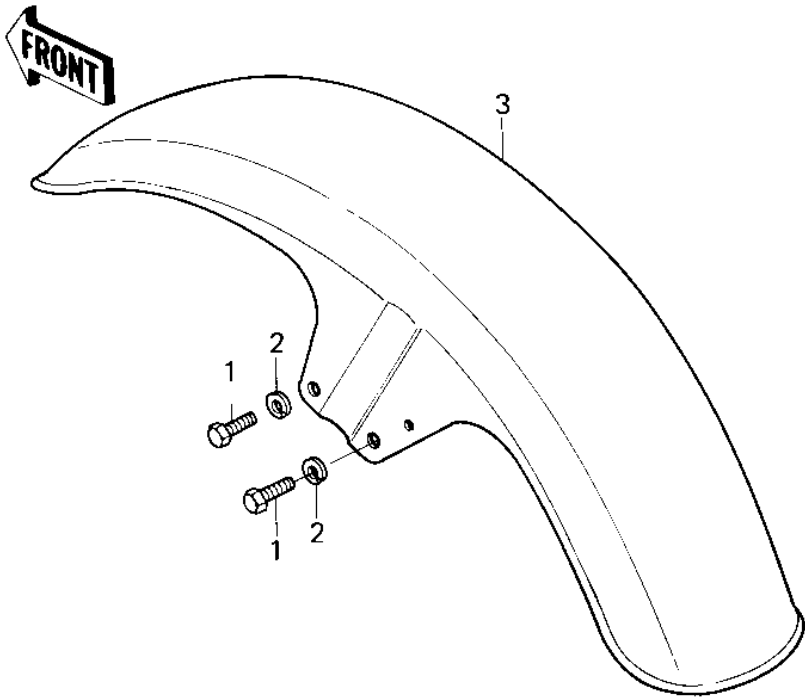


1980 750 Standard-4 PARTS DIAGRAM

FENDERS ('80 KZY 50-E1)



1980 750 Standard-4 PARTS LIST

FENDERS ('80 KZY 50-E1)

ITEM NAME	PART NUMBER	QUANTITY
BOLT-SMALL-UPSET,8X16 (Ref # 1)	115G0816	1
WASHER SPRING 8MM (Ref # 2)	461F0800	1
FENDER-FR (Ref # 3)	35004-1049	1
BOLT-UPSET,6X16 (Ref # 4)	112G0616	1
WASHER SPRING 6MM (Ref # 5)	461F0600	1
WASHER PLAIN 6MM (Ref # 6)	411B0600	1
FENDER-RR (Ref # 7)	35022-1046	1
FENDER-RR,BLACK (Ref # 8)	35022-1047-6Z	1
NUT-6MM (Ref # 9)	92015-1078	1
WASHER 6.5X20X1.6T (Ref # 10)	92022-125	1