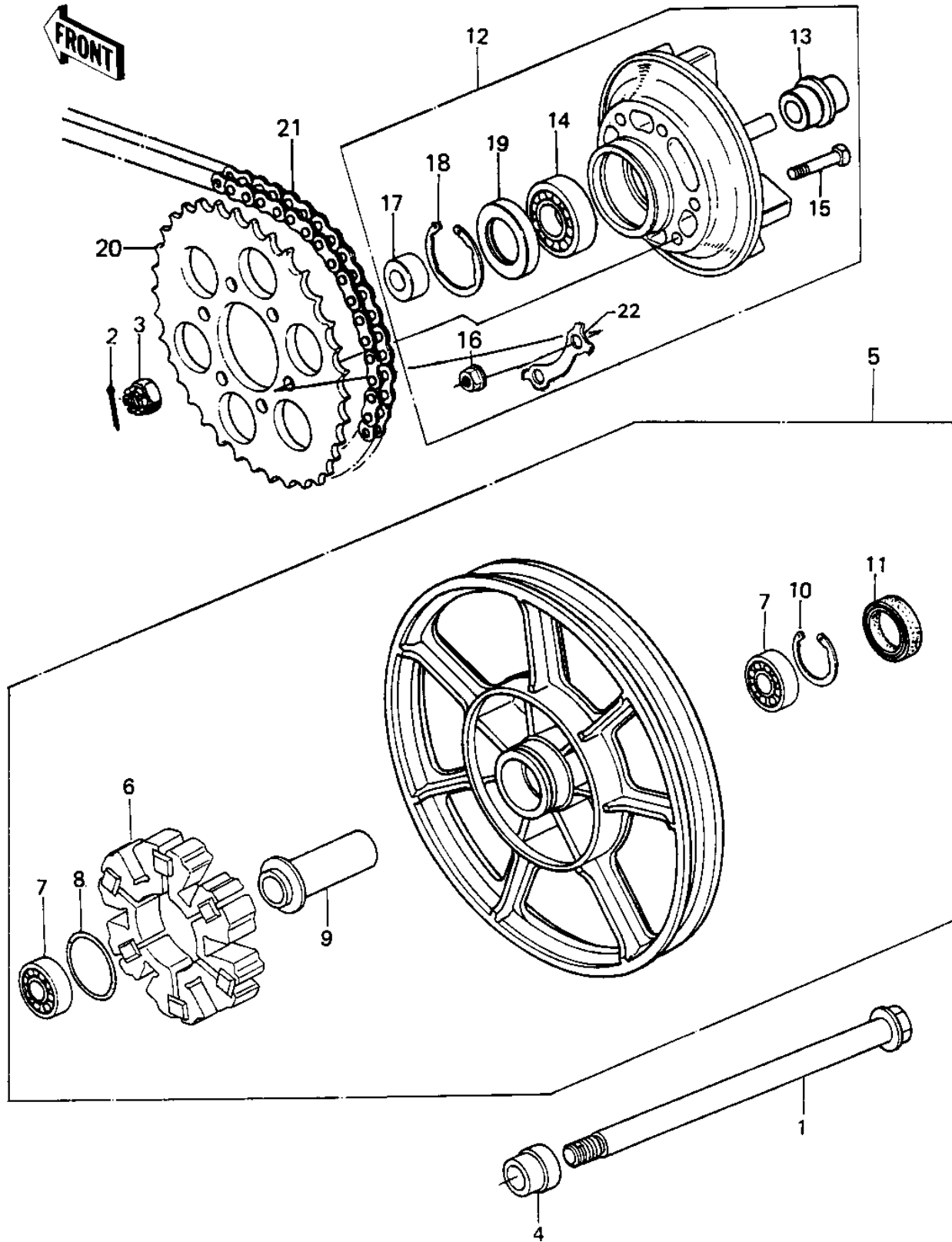


1980 750 Standard-4 PARTS DIAGRAM

REAR WHEEL/HUB/CHAIN ('80 KZY 50-E1)



1980 750 Standard-4 PARTS LIST

REAR WHEEL/HUB/CHAIN ('80 KZY 50-E1)

ITEM NAME	PART NUMBER	QUANTITY
AXLE,RR (Ref # 1)	41068-1086	1
PIN-COTTER,4.0X35 (Ref # 2)	550D4035	1
NUT CASTLE,16MM (Ref # 3)	92015-055	1
COLLAR,RR AXLE L=31 (Ref # 4)	92027-1263	1
WHEEL-ASSY,RR,SOLID,F (Ref # 5)	41073-1140-21	1
SHOCK DAMPER,REAR HUB (Ref # 6)	42014-033	1
BRG,BALL,#6303ZZC3 (Ref # 7)	601B6303ZZ	1
"0" RING,65MM (Ref # 8)	671B2565	1
COLLAR,RR HUB L=90M/M (Ref # 9)	92027-1261	1
CIRCLIP,47M/M (Ref # 10)	92033-1042	1
OIL SEAL,AG1556E0 (Ref # 11)	92049-1056	1
COUPLING ASSY,RR HUB (Ref # 12)	42033-1021	1
SLEEVE,RR HUB L=33M/M (Ref # 13)	42036-1036	1
BALL BEARING,#6206 (Ref # 14)	601B6206	1
BOLT (Ref # 15)	92001-161	1
NUT 10MM (Ref # 16)	42045-005	1
COLLAR,RR AXLE L.H (Ref # 17)	92027-1262	1
CIRCLIP,62M/M (Ref # 18)	92033-1044	1
OIL SEAL (Ref # 19)	92050-027	1
REAR SPROCKET,33T (Ref # 20)	42041-1010	1
CHAIN,630X84 S-T (Ref # 21)	92057-1041	1
WASHER,LOCK (Ref # 22)	92022-1212	1