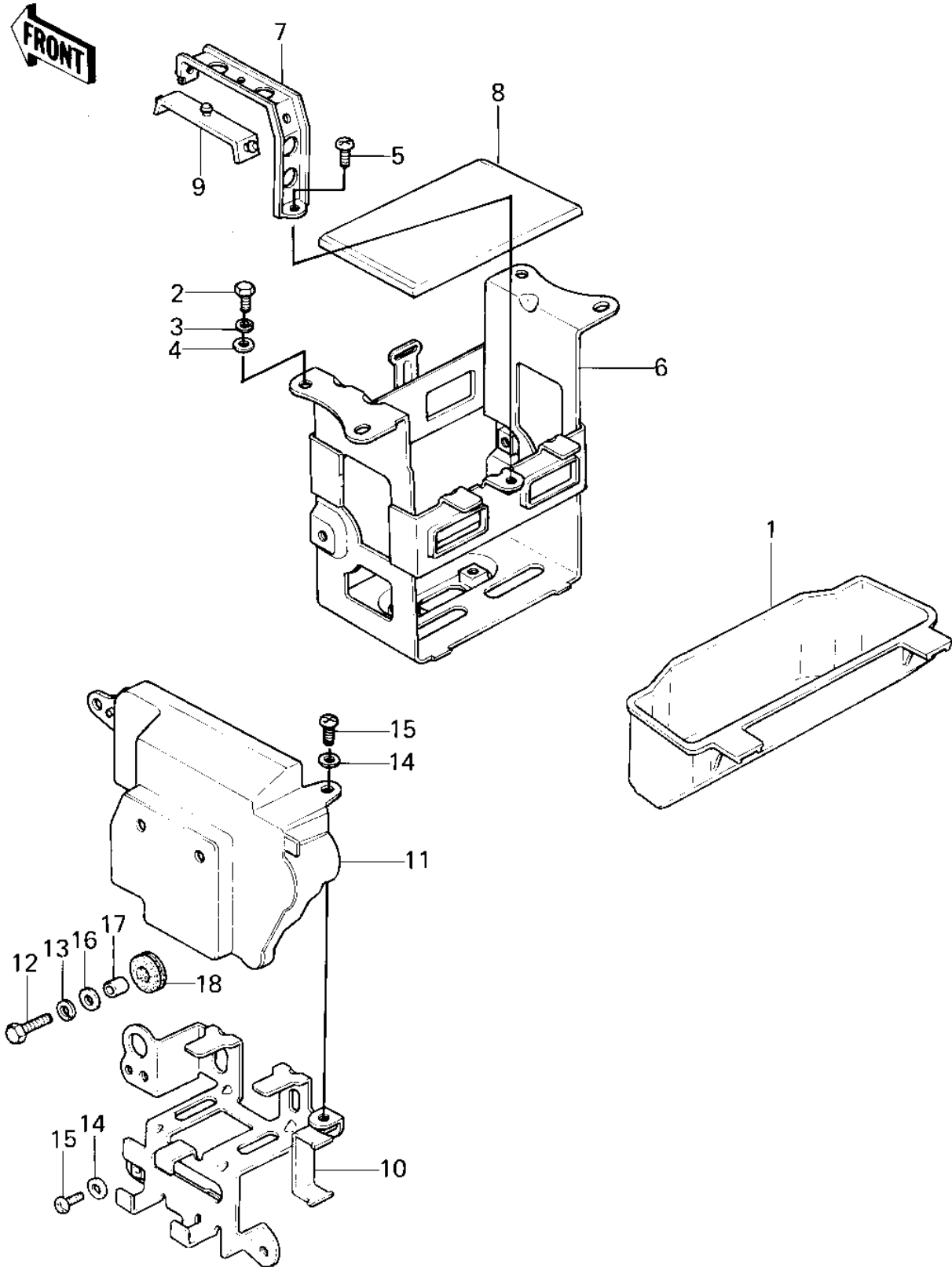


1980 750 Standard-4 PARTS DIAGRAM

BATTERY CASE/TOOL CASE ('80 KZY 50-E1)



1980 750 Standard-4 PARTS LIST

BATTERY CASE/TOOL CASE ('80 KZY 50-E1)

ITEM NAME	PART NUMBER	QUANTITY
CASE,TOOL (Ref # 1)	32098-1011	1
BOLT-UPSET,6X12 (Ref # 2)	112G0612	1
WASHER SPRING 6MM (Ref # 3)	461F0600	2
WASHER PLAIN 6MM (Ref # 4)	410B0600	1
SCREW PAN HEAD 6X12 (Ref # 5)	220B0612	2
CASE,BATTERY (Ref # 6)	32097-1026	1
BAND,BATTERY (Ref # 7)	92072-1019	1
DAMPER,BATTERY BASE (Ref # 8)	92075-1076	1
DAMPER,BATTERY BAND (Ref # 9)	92075-1113	1
BRACKET,ELECTRO BASE (Ref # 10)	11034-1669	1
COVER,ELECTRO BASE (Ref # 11)	14025-1191	1
BOLT-UPSET (Ref # 12)	112G0625	1
WASHER PLAIN (Ref # 14)	92022-024	1
WASHER,PLAIN,7MM (Ref # 16)	92022-228	1
COLLAR-CLAMP (Ref # 17)	92027-291	1
DAMPER (Ref # 18)	92075-317	1