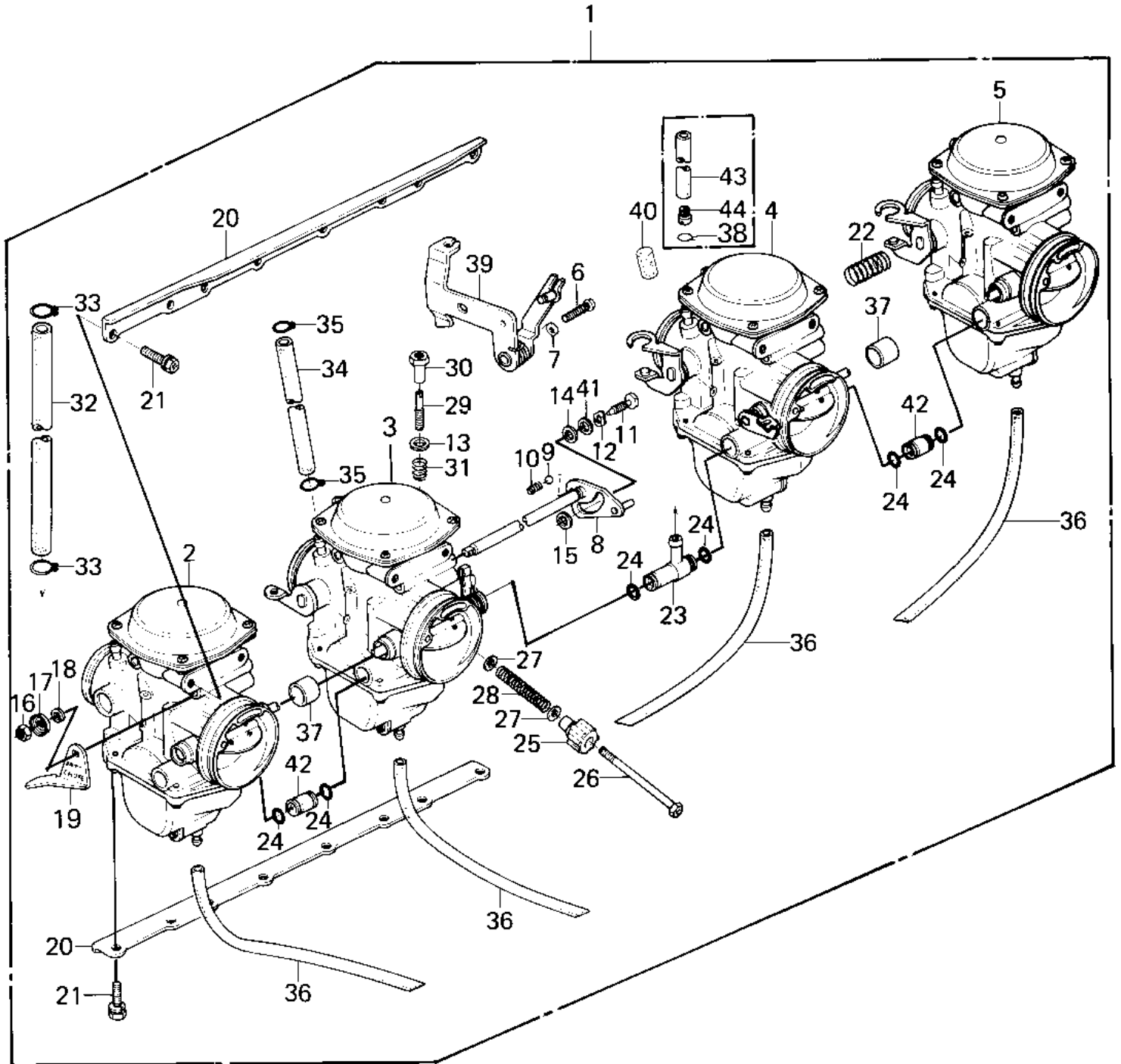


1980 750 Standard-4 PARTS DIAGRAM

CARBURETOR ASSY ('80 KZY 50-E1)



1980 750 Standard-4 PARTS LIST

CARBURETOR ASSY ('80 KZY 50-E1)

ITEM NAME	PART NUMBER	QUANTITY
CARBURETOR (Ref # 1)	16001-1200	1
CARBURETOR,L.H,OUTER (Ref # 2)	16001-1309	1
CARBURETOR,L.H,INSIDE (Ref # 3)	16001-1310	1
CARBURETOR,R.H.INSIDE (Ref # 4)	16001-1311	1
CARBURETOR,R.H.OUTSID (Ref # 5)	16001-1312	1
SCREW PAN HEAD 5X20 (Ref # 6)	220B0520	1
WASHER SPRING 5MM (Ref # 7)	461F0500	2
SHAFT,CHOKE LINK (Ref # 8)	16041-1017	1
BALL,STEEL,3/16" (Ref # 9)	92140-1004	1
SPRING (Ref # 10)	92081-1249	1
SCREW,LINK SHAFT (Ref # 11)	92009-1096	1
SPRING,WAVED WASHER (Ref # 12)	92081-1262	1
WASHER (Ref # 13)	92022-1204	1
WASHER,6.1X11X0.8,POL (Ref # 14)	92022-1199	1
WASHER,6.4X9.4X0.8,PL (Ref # 15)	92022-1200	1
NUT,5MM (Ref # 16)	311B0500	1
WASHER,LOCK,5M/M (Ref # 17)	92022-1201	1
LEVER,CHOKE (Ref # 19)	13168-1065	1
PLATE,CARBURETOR STAY (Ref # 20)	11034-1800	1
SCREW,6X16 (Ref # 21)	92009-1129	1
SPRING (Ref # 22)	92081-1250	1
FITTING,FUEL TUBE (Ref # 23)	92005-1026	1
"O" RING (Ref # 24)	92055-1004	1
HOLDER,ADJUST (Ref # 25)	13091-1078	1
BOLT,HEX HEAD,5X70 (Ref # 26)	92001-1328	1
WASHER (Ref # 27)	92022-1203	1
SPRING (Ref # 28)	92081-1251	1
SCREW,SLOTTED (Ref # 29)	16021-1027	1
NUT,5M/M (Ref # 30)	92015-1118	1

1980 750 Standard-4 PARTS LIST

CARBURETOR ASSY ('80 KZY 50-E1)

ITEM NAME	PART NUMBER	QUANTITY
SPRING (Ref # 31)	92081-1252	1
TUBE,FUEL INLET (Ref # 32)	92059-1029	1
CLAMP,FUEL INLET TUBE (Ref # 33)	92037-1075	1
HOSE,FUEL INLET (Ref # 34)	92059-1001	1
CLAMP,TUBE (Ref # 35)	92037-1682	1
TUBE,3.5X6.5X180 (Ref # 36)	92059-1140	1
TUBE,DUST SEAL (Ref # 37)	11012-1130	1
BRACKET,THROTTLE CABL (Ref # 39)	11034-1799	1
CAP,RUBBER (Ref # 40)	11012-1129	1
WASHER,6.5X11X1.2,STL (Ref # 41)	92022-1207	1
NIPPLE,FUEL (Ref # 42)	92005-1027	1