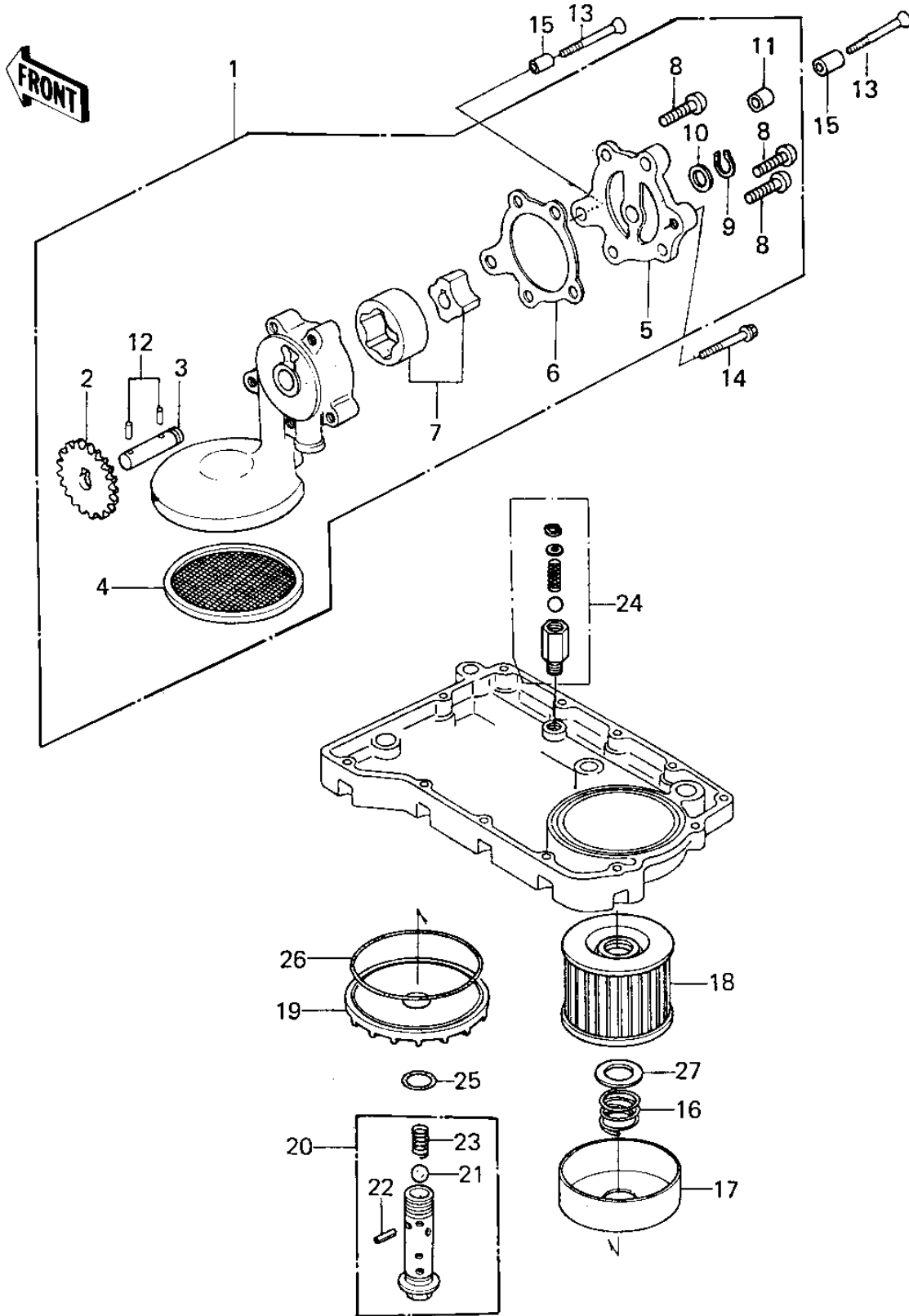


## 1980 750 Standard-4 PARTS DIAGRAM

OIL PUMP/OIL FILTER ('80 KZY 50-E1)



## 1980 750 Standard-4 PARTS LIST

OIL PUMP/OIL FILTER ('80 KZY 50-E1)

ITEM NAME	PART NUMBER	QUANTITY
OIL PUMP ASSY (Ref # 1)	16082-064	1
GEAR,OIL PUMP,57T (Ref # 2)	16085-025	1
SHAFT,OIL PUMP (Ref # 3)	16086-004	1
STRAINER,OIL PUMP (Ref # 4)	16111-004	1
COVER,OIL PUMP (Ref # 5)	16142-005	1
GASKET,OIL PUMP COVER (Ref # 6)	16145-004	1
ROTOR ASSY,OIL PUMP (Ref # 7)	16154-003	1
SCREW PAN HEAD 6X22 (Ref # 8)	220B0622	1
CIRCLIP,11MM (Ref # 9)	480J1100	1
WASHER,PLAIN (Ref # 10)	92022-311	1
PIN,DOWEL,8X10 (Ref # 11)	92043-1302	1
PIN,DOWEL (Ref # 12)	92042-041	1
SCREW,CONTRUNK HEAD (Ref # 13)	221B0650	1
BOLT,HEX HEAD,6X45 (Ref # 14)	92001-165	1
PIN,DOWEL,6.2X8X28 (Ref # 15)	92042-050	1
SPRING,OIL FILTER (Ref # 16)	92081-1018	1
PLATE,OIL FILTER (Ref # 17)	13169-1110	1
FILTER,OIL (Ref # 18)	16099-003	1
COVER,OIL FILTER (Ref # 19)	16101-004	1
VALVE,OIL FILTER (Ref # 20)	16126-1108	1
BALL STEEL 3/8" (Ref # 21)	600A1200	1
SPRING PIN (Ref # 22)	92043-111	1
SPRING (Ref # 23)	92081-109	1
RELEASE VALVE ASSY (Ref # 24)	16130-1001	1
O-RING,16MM (Ref # 25)	670B2016	1
O-RING,90MM (Ref # 26)	671B2590	1
WASHER,20.5X30X1.0 (Ref # 27)	92022-1012	1