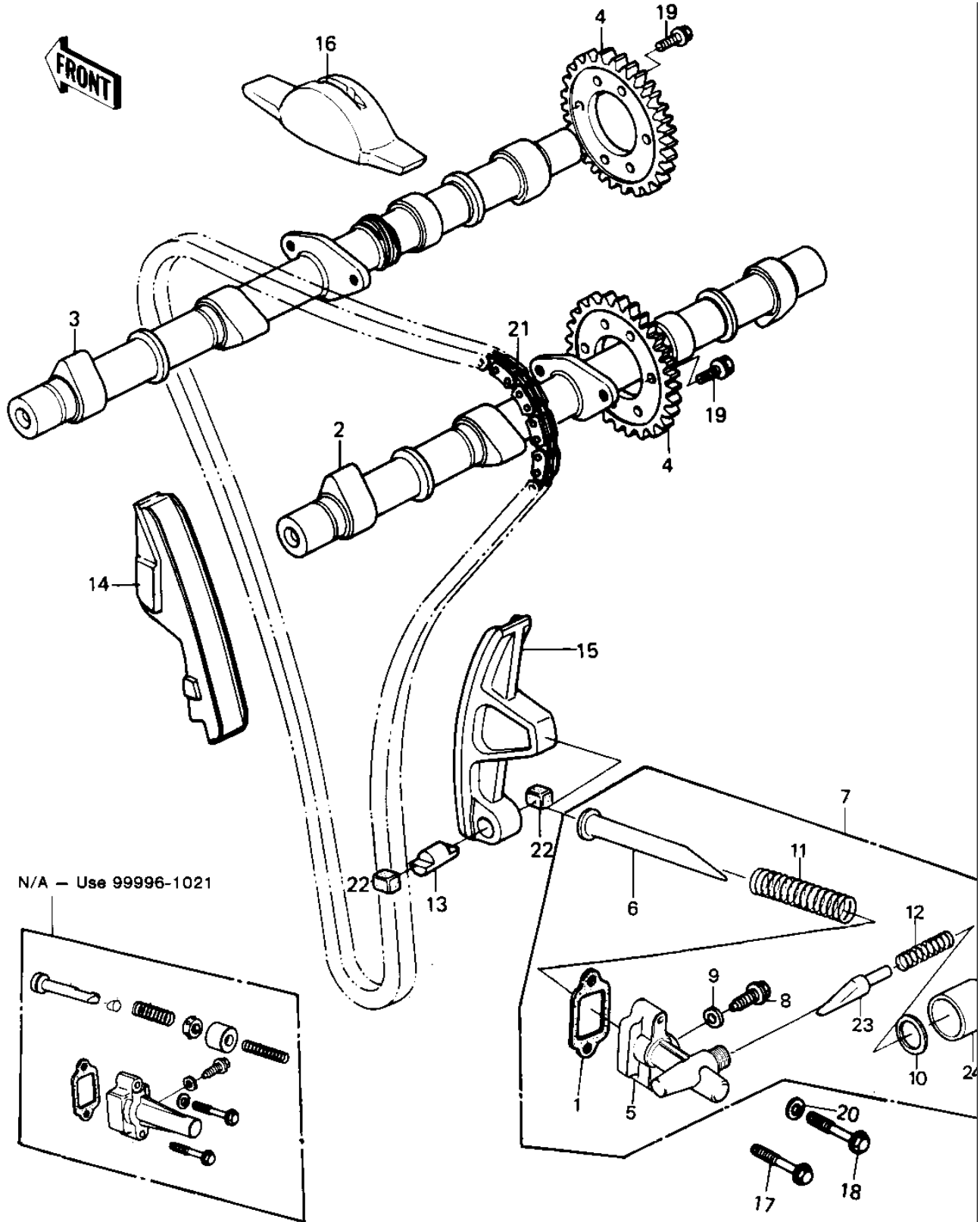


## 1980 750 Standard-4 PARTS DIAGRAM

CAMSHAFTS/CHAIN/TENSIONER ('80 KZY 50-E1)



## 1980 750 Standard-4 PARTS LIST

CAMSHAFTS/CHAIN/TENSIONER ('80 KZY 50-E1)

ITEM NAME	PART NUMBER	QUANTITY
GASKET,TENSIONER (Ref # 1)	11009-1980	1
CAMSHAFT-VALVE,INTAKE (Ref # 2)	12044-1043	1
CAMSHAFT,EXHAUST (Ref # 3)	12044-1019	1
SPROCKET,CAMSHAFT 46T (Ref # 4)	12046-1021	1
TENSIONER,CAM CHAIN (Ref # 5)	12049-1015	1
ROD-PUSH,TENSIONER (Ref # 6)	13116-1036	1
TENSIONER KIT (Ref # 7)	99996-1021	1
BELT,TENSIONER ADJUST (Ref # 8)	92001-1155	1
WASHER OIL PUMP BANJO (Ref # 9)	92022-077	2
WASHER,18.3X24X1.4T (Ref # 10)	92022-1175	1
SPRING,TENSIONER (Ref # 11)	92081-1374	1
SPRING,TENSIONER (Ref # 12)	92081-1302	1
SHAFT,CAM CHAIN GUIDE (Ref # 13)	12052-003	1
GUIDE-CHAIN,FR (Ref # 14)	12053-1058	1
GUIDE-CHAIN REAR (Ref # 15)	12053-1054	1
GUIDE,CHAIN UPPER (Ref # 16)	12053-1038	1
BOLT,FLANGED,6X30 (Ref # 17)	130G0630	1
BOLT,FLANGED,6X35 (Ref # 18)	130H0635	1
BOLT,SPROCKET FITTING (Ref # 19)	92003-208	1
CHAIN,CAM,82RH2015-15 (Ref # 21)	92057-1319	1
DAMPER RUBBER (Ref # 22)	92075-123	1
ROD,PUSH,CAM CHAIN (Ref # 23)	13116-1012	1
CAP,TENSIONER,18M/M (Ref # 24)	92015-1100	1