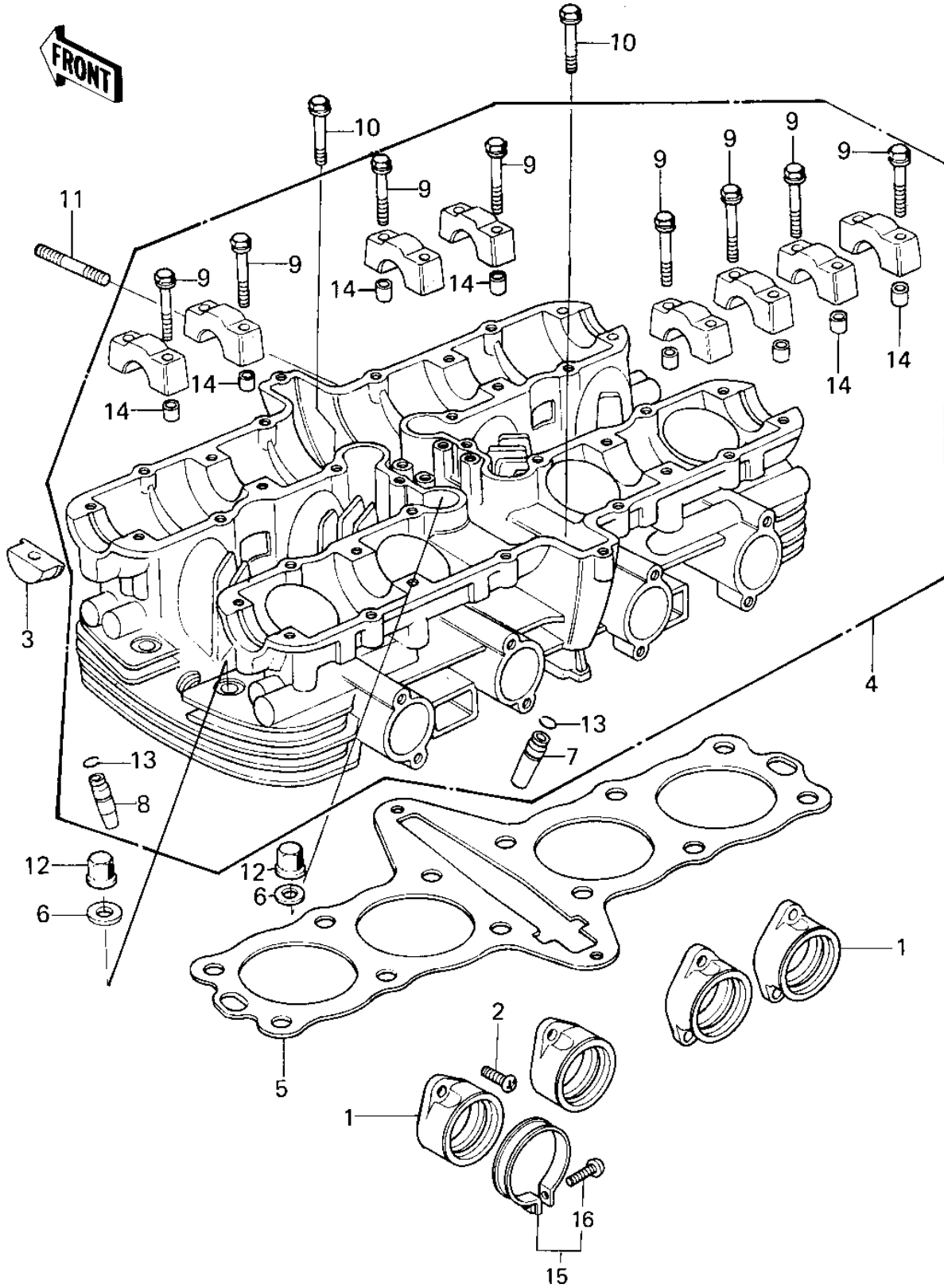


1980 750 Standard-4 PARTS DIAGRAM

CYLINDER HEAD ('80 KZY 50-E1)



1980 750 Standard-4 PARTS LIST

CYLINDER HEAD ('80 KZY 50-E1)

ITEM NAME	PART NUMBER	QUANTITY
HOLDER-CARBURETOR (Ref # 1)	16065-1132	1
SCREW PAN HEAD 6X18 (Ref # 2)	220B0618	1
PLUG,CAMSHAFT,11.35X1 (Ref # 3)	92066-1111	1
HEAD-ASSY-CYLINDER,BL (Ref # 4)	11002-1077	1
HEAD-ASSY-CYLINDER,BL (Ref # 4)	11002-1078	1
GASKET-HEAD,CYLINDER (Ref # 5)	11004-1107	1
WASHER PLAIN 10MM (Ref # 6)	411B1000	1
GUIDE,INLET VALVE (Ref # 7)	12013-009	1
GUIDE,EXHAUST VALVE (Ref # 8)	49002-1002	1
BOLT,FLANGED,6X38 (Ref # 9)	92001-1105	1
BOLT,FLANGED,8X43 (Ref # 10)	92001-1445	1
STUD,6X27 (Ref # 11)	92004-066	1
NUT,CYLINDER HEAD (Ref # 12)	92015-076	1
CIRCLIP-VALVE (Ref # 13)	92036-023	1
PIN-DOWEL (Ref # 14)	92042-007	1
CLAMP-INLET PIPE (Ref # 15)	92037-061	1
SCREW,PAN HEAD (Ref # 16)	92011-037	1