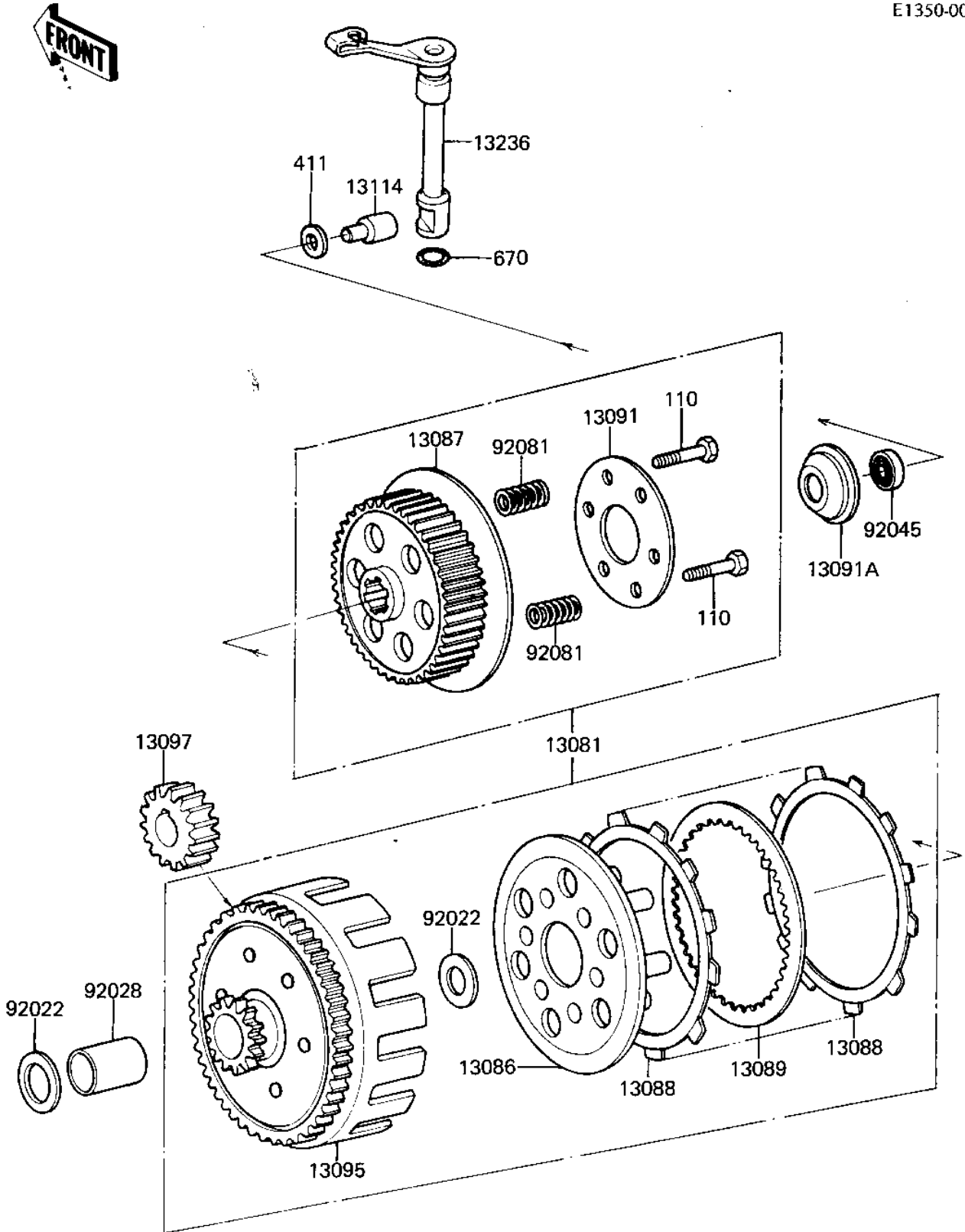


1981 KX™125 PARTS DIAGRAM

CLUTCH ('81 A7)

E1350-0005



1981 KX™125 PARTS LIST

CLUTCH ('81 A7)

ITEM NAME	PART NUMBER	QUANTITY
CLUTCH-ASSY (Ref # 13081)	13081-1060	1
WHEEL,CLUTCH (Ref # 13086)	13086-1001	1
HUB,CLUTCH (Ref # 13087)	13087-1002	1
PLATE-FRICTION (Ref # 13088)	13088-1015	1
PLATE,CLUTCH STEEL (Ref # 13089)	13089-1002	1
HOLDER,CLUTCH (Ref # 13091)	13091-1011	1
HOLDER,CLUTCH PUSHER (Ref # 13091A)	13091-1071	1
HOUSING,CLUTCH (Ref # 13095)	13095-1028	1
GEAR,PRIMARY,20T (Ref # 13097)	13097-1032	1
PUSHER,CLUTCH (Ref # 13114)	13114-1004	1
LEVER ASSY,CLUTCH RLS (Ref # 13236)	13236-1022	1
WASHER,PLAIN (Ref # 92022)	92022-270	1
BUSHING,CLUTCH (Ref # 92028)	92028-1018	1
BEARING-BALL (Ref # 92045)	92045-1211	1
SPRING,CLUTCH (Ref # 92081)	92081-123	1
BOLT (Ref # 110)	110G0520	1
WASHER PLAIN 6MM (Ref # 411)	411B0600	1
"O" RING, 10MM (Ref # 670)	670B2010	1