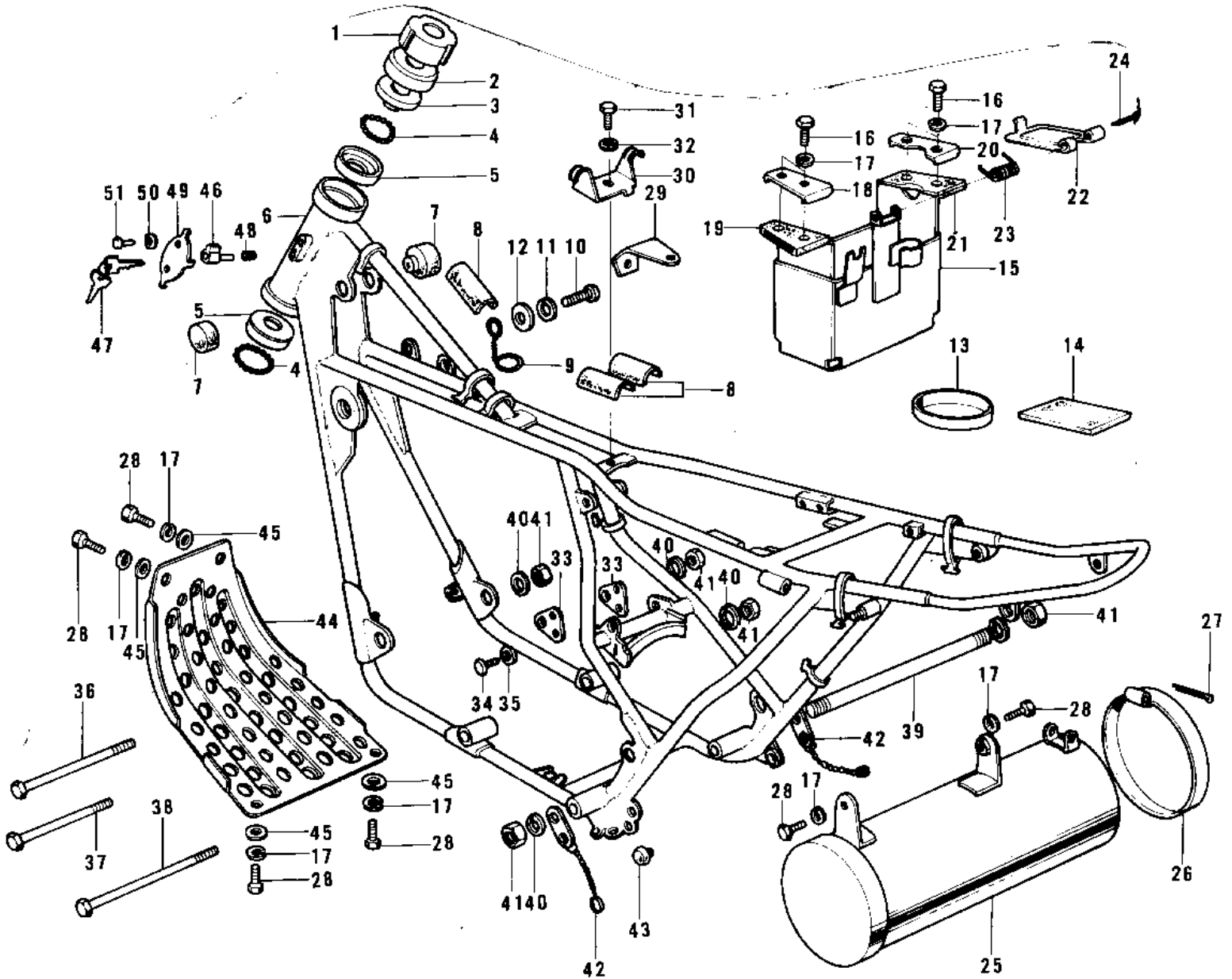


1972 PARTS DIAGRAM

FRAME/FRAME FITTINGS (F9-A)



1972 PARTS LIST

FRAME/FRAME FITTINGS (F9-A)

ITEM NAME	PART NUMBER	QUANTITY
NUT STEERING STEM LC (Ref # 1)	92090-006	1
CAP STEERING STEM (Ref # 2)	46098-005	1
CONE STERNG BERG UPP (Ref # 3)	92047-003	1
BALL STEEL 1/4' (Ref # 4)	600A0800	1
RACE STEERING BEARIN (Ref # 5)	92048-005	1
FRAME (Ref # 6)	32002-059	1
DAMPER RUBB FUEL TAN (Ref # 7)	92075-050	1
MAT FUEL TANK (Ref # 8)	51067-002	1
CLAMP (Ref # 9)	92037-053	1
BOLT,6X10 (Ref # 10)	112G0610	2
WASHER SPRING 6MM (Ref # 11)	461F0600	2
WASHER PLAIN 6MM (Ref # 12)	410B0600	1
MAT-BATTERY SIDE (Ref # 13)	32103-023	1
MAT-BATTERY (Ref # 14)	32103-022	1
CASE,BATTERY (Ref # 15)	32097-025	1
BOLT-UPSET (Ref # 16)	112G0618	2
PLATE,L.H BATTERY CAS (Ref # 18)	32101-006	1
DAMPER RUBBER-BATTER (Ref # 19)	92075-152	1
PLATE,R.H BATTERY CAS (Ref # 20)	32101-007	1
DAMPER RUBBER,BATTER (Ref # 21)	92075-153	1
BAND,BATTERY (Ref # 22)	92072-048	1
SPRING-RETURN (Ref # 23)	92083-017	1
PIN-COTTER,2.5X35 (Ref # 24)	550D2535	1
BOX-TOOL,BLACK (Ref # 25)	32098-014-21	1
CAP-TOOL CASE (Ref # 26)	32099-005	1
PIN COTTER 2.0X30 (Ref # 27)	550D2030	1
BOLT-UPSET,6X12 (Ref # 28)	112G0612	2
BRACKET-TRN.SGNL.RLY (Ref # 29)	27023-001	1
BRACKET,FUEL TANK (Ref # 30)	32052-046	1

1972 PARTS LIST

FRAME/FRAME FITTINGS (F9-A)

ITEM NAME	PART NUMBER	QUANTITY
BOLT-SMALL-UPSET,8X1 (Ref # 31)	115G0818	1
WASHER SPRING 8MM (Ref # 32)	461F0800	2
PLATE-ENGINE MOUNT (Ref # 33)	32030-020	1
BOLT,8X20 (Ref # 34)	115G0820	2
BOLT-HEX HEAD,12X163 (Ref # 36)	113B12163A	1
BOLT-HEX HEAD,12X151 (Ref # 37)	113B12151A	1
BOLT-HEX HEAD,12X260 (Ref # 38)	113B12260A	1
STUD (Ref # 39)	92006-002	1
WASHER SPRING 12MM (Ref # 40)	461F1200	1
NUT-HEX-FINE,12MM (Ref # 41)	315B1200	1
CHAIN (Ref # 42)	58041-007	1
PLUG RUBBER (Ref # 43)	92074-005	1
GUARD-ENGINE (Ref # 44)	55011-014	1
WASHER 6.5X20X1.6T (Ref # 45)	92022-125	1
LOCK ASSY-STEERING (Ref # 46,47)	27016-028	1
KEY SET-STRNG,#265 (Ref # 47)	27018-014-65	1
KEY SET-STRNG,#266 (Ref # 47)	27018-014-66	1
KEY SET-STRNG,#267 (Ref # 47)	27018-014-67	1
KEY SET-STRNG,#268 (Ref # 47)	27018-014-68	1
KEY SET-STRNG,#269 (Ref # 47)	27018-014-69	1
SPRING-STEERING LOCK (Ref # 48)	27032-001	1
CAP,STEERING LOCK (Ref # 49)	11012-1134	1
WASHER (Ref # 50)	92097-003	1
SCREW-TAPPING (Ref # 51)	92008-007	1