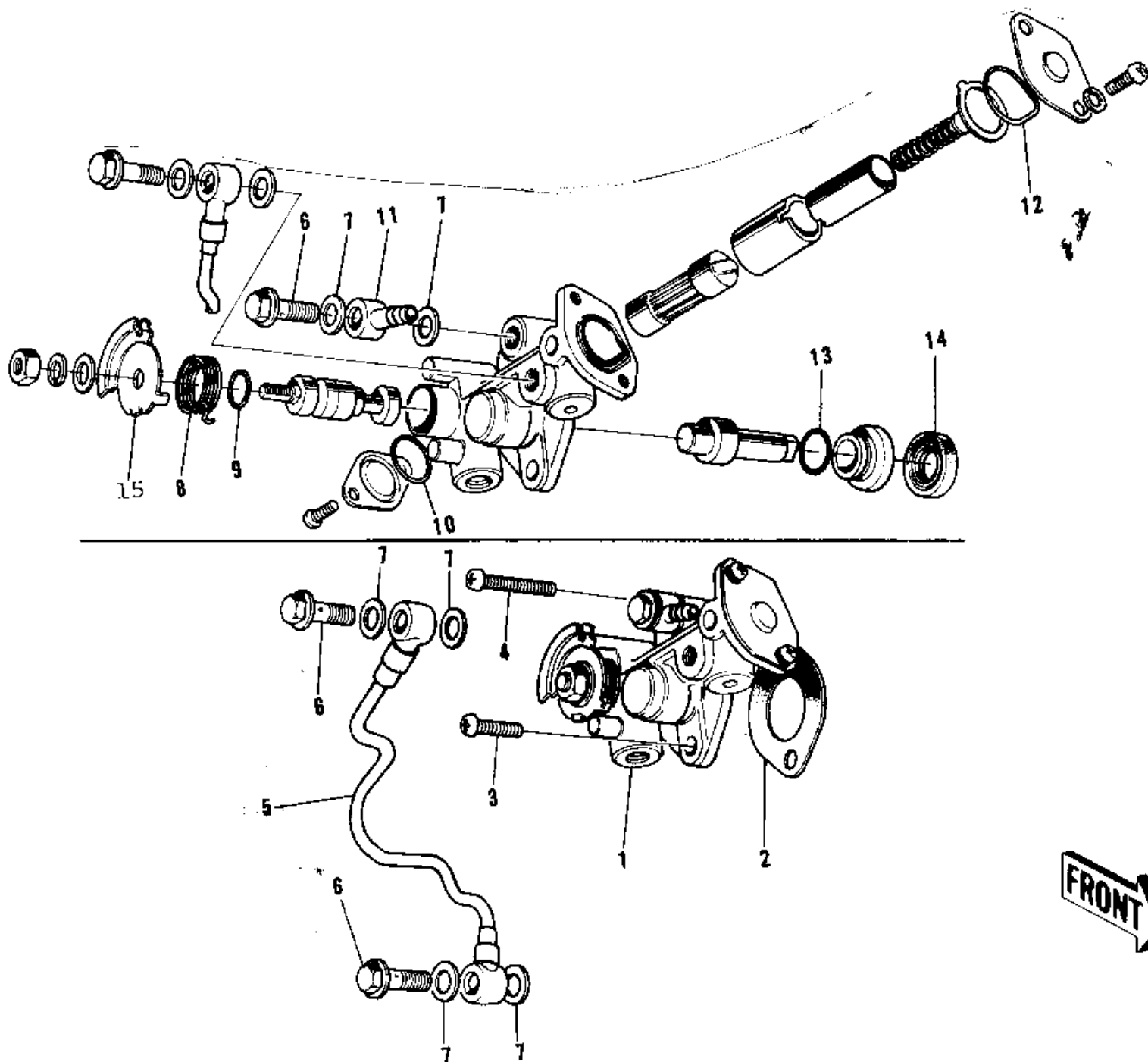


1972 PARTS DIAGRAM

OIL PUMP ('72-'73 F9/F9-A 350)



1972 PARTS LIST

OIL PUMP ('72-'73 F9/F9-A 350)

ITEM NAME	PART NUMBER	QUANTITY
OIL PUMP ASSY (Ref # 1)	16082-038	2
OIL PUMP ASSY (Ref # 1)	16082-045	1
GASKET,OIL PUMP (Ref # 2)	11060-1160	1
SCREW-PAN-CROS (Ref # 3)	220B0514	1
SCREW PAN CROSS,5X28 (Ref # 4)	220B0528	1
PIPE-OIL (Ref # 5)	16134-010	1
BOLT-BANJO,6MM (Ref # 6)	92060-013	1
WASHER OIL PUMP BANJ (Ref # 7)	92022-077	1
SPRING OIL PUMP LEVE (Ref # 8)	16093-004	1
SEAL-OIL,CAMSHAFT,"X (Ref # 9)	92049-1294	1
"O" RING,LOWER CAP (Ref # 10)	16090-003	1
CONNECTOR BANJO (Ref # 11)	92061-009	1
"O" RING,UPPER CAP (Ref # 12)	16088-002	1
"O" RING,OIL PUMP SH (Ref # 13)	16090-002	1
OIL SEAL OIL PUMP SH (Ref # 14)	16091-001	1
LEVER-OIL PUMP CABLE (Ref # 15)	16096-008	1