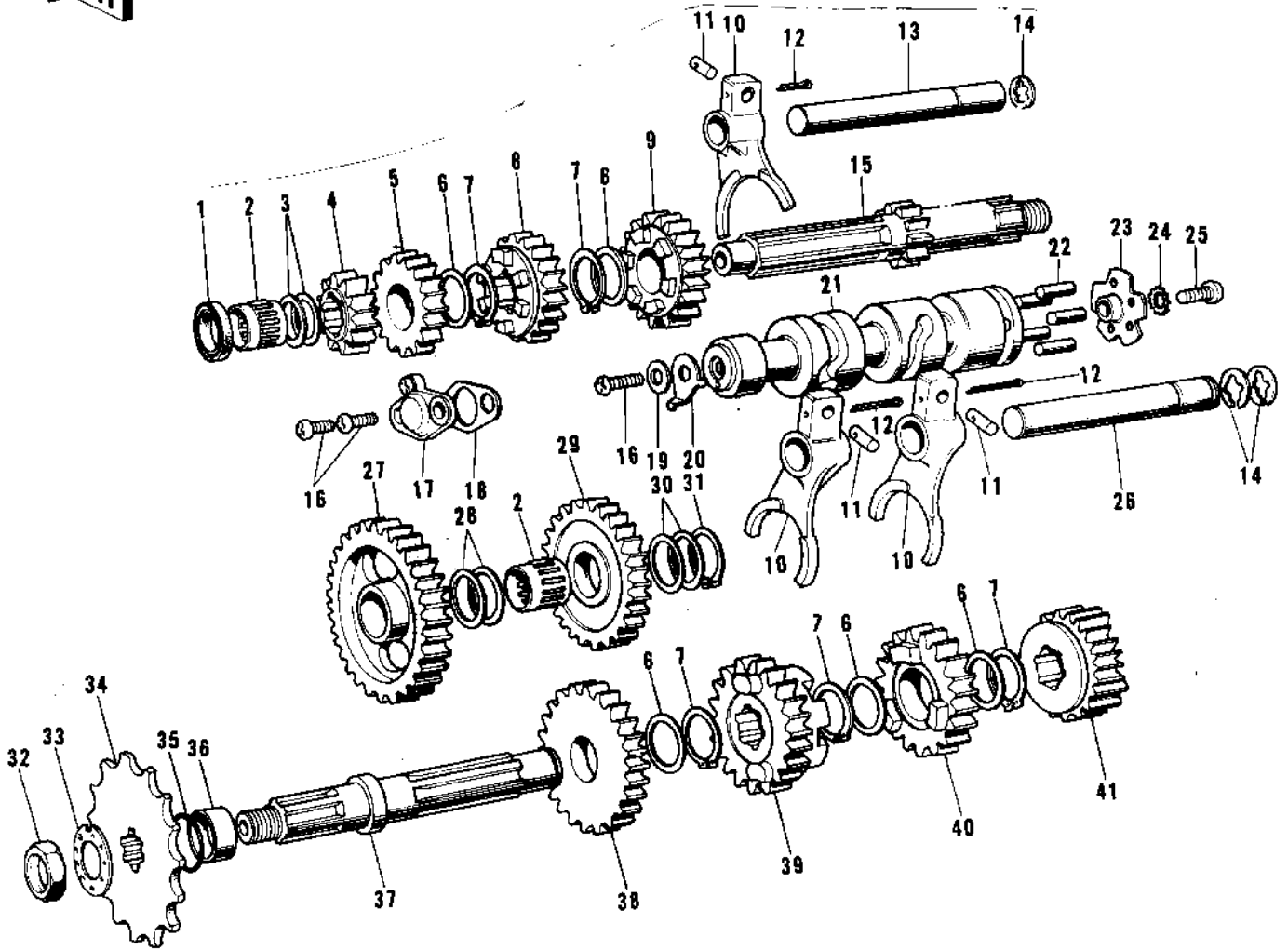


1972 PARTS DIAGRAM

TRANSMISSION



1972 PARTS LIST

TRANSMISSION

ITEM NAME	PART NUMBER	QUANTITY
OIL SEAL-CLTH PSH RO (Ref # 1)	92050-034	1
BEARING-NEEDLE (Ref # 2)	92046-025	1
WASHER THRUST (Ref # 3)	92022-112	2
WASHER,THRUST (Ref # 3)	92022-223	1
2ND GEAR-DRIVE SHAFT (Ref # 4)	13130-021	1
4TH GEAR-DRIVE SHAFT (Ref # 5)	13134-005	1
WASHER 25MM (Ref # 6)	92022-076	1
WASHER,THRUST (Ref # 6)	92022-224	1
CIRCLIP (Ref # 7)	92033-026	1
3RD GEAR-DRIVE SHAFT (Ref # 8)	13132-020	1
TOP GEAR,DRIVE SHAFT (Ref # 9)	13136-047	1
FORK-SELECTOR (Ref # 10)	13140-052	2
PIN SELECT FORK GUID (Ref # 11)	92043-005	1
PIN COTTER 3.0X18 (Ref # 12)	550D3018	1
ROD-SHIFT (Ref # 13)	13209-009	1
CIRCLIP 10MM (Ref # 14)	482J0100	1
SHAFT-DRIVE (Ref # 15)	13127-025	1
SCREW PAN HEAD 6X16 (Ref # 16)	220B0616	1
SWITCH-NEUTRAL INDICATOR (Ref # 17)	13151-004	1
GASKET NEUTRAL SWITC (Ref # 18)	13146-002	1
WASHER PLAIN 6MM (Ref # 19)	410B0600	1
ROTOR,NEUTRAL INDICTATOR (Ref # 20)	21007-1003	1
DRUM ASSY-GEAR CHANGE (Ref # 20~25)	13239-006	2
PIN-CHANGE DRUM (Ref # 22)	92042-020	1
PLATE-CHANGE DRUM PI (Ref # 23)	13142-010	1
WASHER LOCK 6MM (Ref # 24)	464H0600	1
SCREW CNTSNK HD 6X20 (Ref # 25)	221B0620	1
ROD-SHIFT (Ref # 26)	13209-010	1
LOW GEAR-OUTPUT SHAF (Ref # 27)	13129-042	1

1972 PARTS LIST

TRANSMISSION

ITEM NAME	PART NUMBER	QUANTITY
WASHER THRUST (Ref # 28)	92022-113	1
IDLE GEAR-KICKSTARTE (Ref # 29)	13073-005	1
SHIM-KICK SHAFT (Ref # 30)	92022-144	1
CIRCLIP,19MM (Ref # 31)	480J1900	1
NUT 18MM (Ref # 32)	92015-019	1
WASHER,LOCK,18MM (Ref # 33)	92024-067	2
ENGINE SPROCKET 14T (Ref # 34)	13144-017	1
"O" RING (Ref # 35)	92055-035	1
COLLAR-ENG SPROKET (Ref # 36)	92027-163	1
SHAFT-OUTPUT (Ref # 37)	13128-027	1
2ND GEAR-OUTPUT SHAF (Ref # 38)	13131-024	1
4TH GEAR-OUTPUT SHAF (Ref # 39)	13135-009	1
3RD GEAR-OUTPUT SHAF (Ref # 40)	13133-019	1
TOP GEAR-OUTPUT SHAF (Ref # 41)	13137-013	1