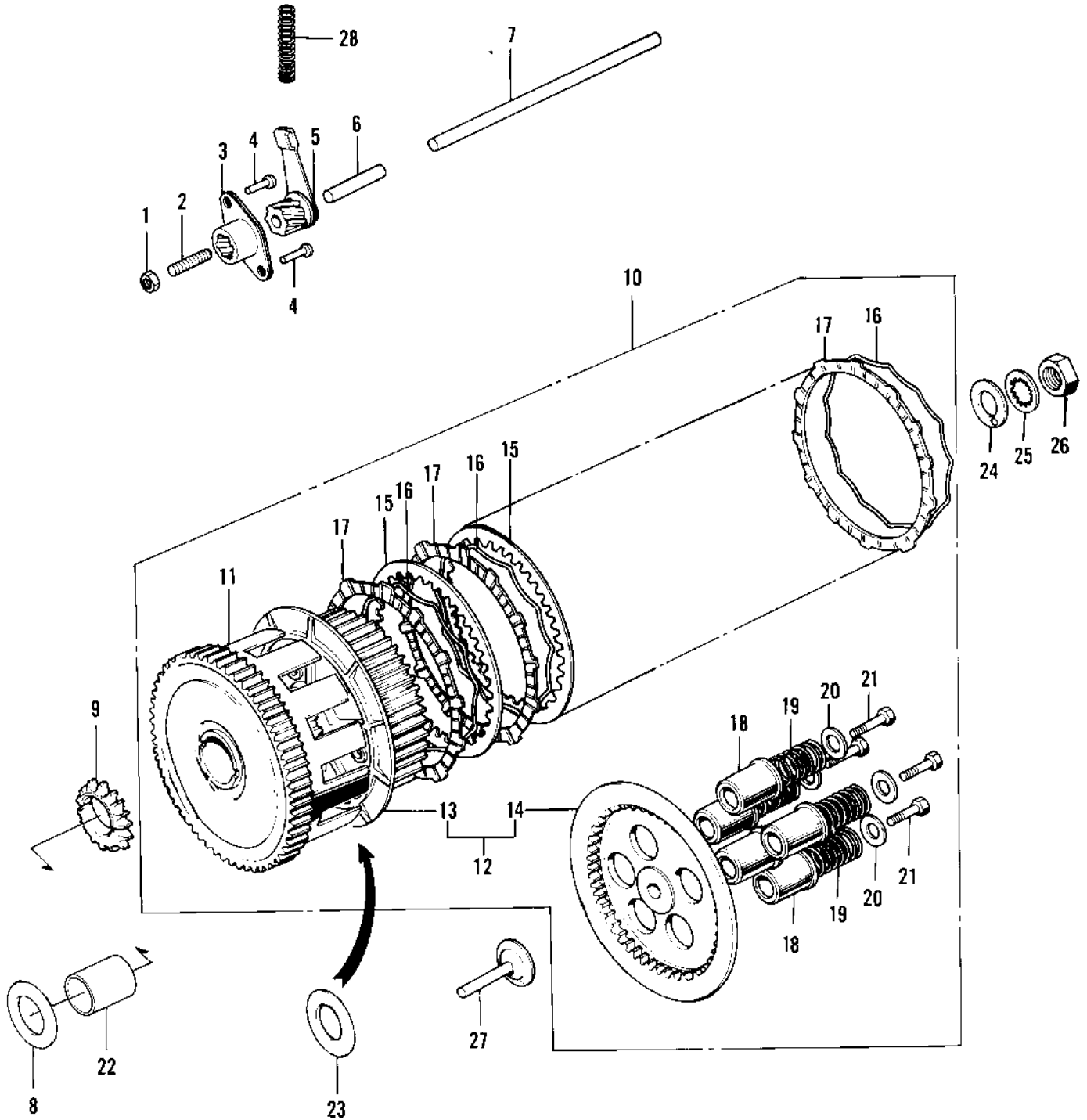


## 1972 PARTS DIAGRAM

CLUTCH ('72-'73 F9/F9-A 350)



## 1972 PARTS LIST

CLUTCH ('72-'73 F9/F9-A 350)

ITEM NAME	PART NUMBER	QUANTITY
NUT 6MM (Ref # 1)	311B0600	1
SCREW-CLUTCH ADJUST (Ref # 2)	92014-011	1
RELEASE OUTER-CLUTCH (Ref # 3)	13118-005	1
SCREW PAN HEAD 6X14 (Ref # 4)	220B0614	1
RELEASE INNER-CLUTCH (Ref # 5)	13102-010	1
PUSH ROD-CLUTCH,SHOR (Ref # 6)	13116-013	1
RELEASE-ASSY-CLUTCH (Ref # 7)	13231-1008	1
WASHER TH 25.5X38X1T (Ref # 8)	92022-145	1
PINION-KICKSTARTER (Ref # 9)	13075-007	1
CLUTCH-ASSY (Ref # 10)	13081-042	1
.HOUSING-CLUTCH (Ref # 11)	13095-027	1
.HUB SET-CLUTCH (Ref # 12)	13084-005	1
..HUB-CLUTCH (Ref # 13)	13087-030	1
..PLATE-CLUTCH SPRING (Ref # 14)	13187-005	1
.PLATE CLUTCH STEEL (Ref # 15)	13089-013	1
.RING-CLUTCH STEEL (Ref # 16)	13229-003	2
.PLATE-CLUTCH FRICTIO (Ref # 17)	13088-021	1
.GUIDE CLUTCH SPRING (Ref # 18)	13092-005	1
3SPRING CLUTCH (Ref # 19)	92081-042	1
.HOLDER CL SPG6.5X20X (Ref # 20)	13091-009	1
.BOLT-UPSET (Ref # 21)	112G0618	1
BUSHING 25X30X34L (Ref # 22)	92028-081	1
WASHER TH 25.5X47X2. (Ref # 23)	92026-022	1
WASHER PL 19X36.5X0. (Ref # 24)	92022-074	1
WASHER LOCK 18MM (Ref # 25)	463G1800	1
NUT 18MM (Ref # 26)	92015-019	1
PUSHER-CLTCH SPRG PL (Ref # 27)	13116-011	1
SPRING-CLUTCH RELEAS (Ref # 28)	92081-069	1