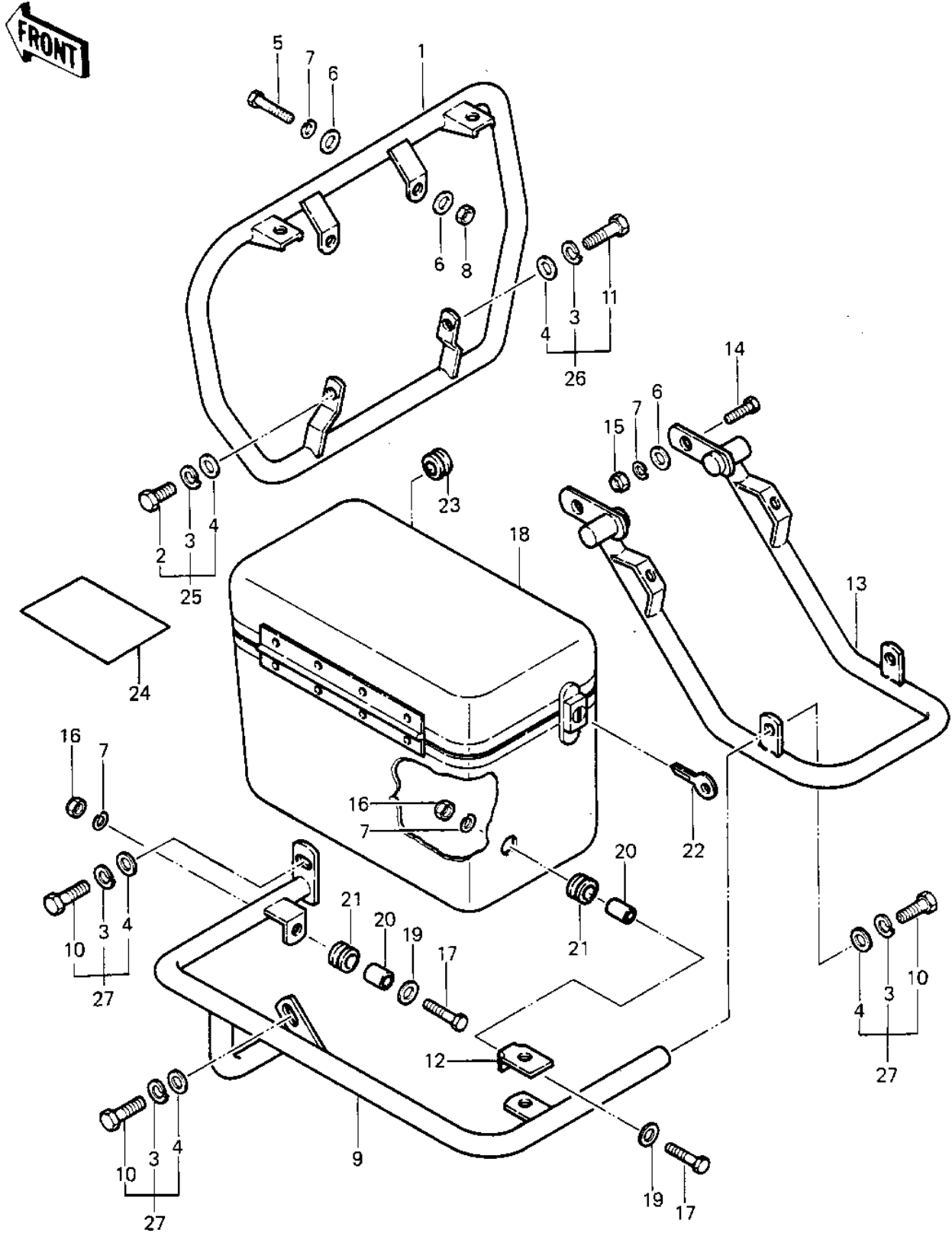


## 1982 Police 1000 PARTS DIAGRAM

GUARDS/SADDLEBAGS



## 1982 Police 1000 PARTS LIST

### GUARDS/SADDLEBAGS

| ITEM NAME                            | PART NUMBER | QUANTITY |
|--------------------------------------|-------------|----------|
| GUARD,FR (Ref # 1)                   | 55020-1070  | 1        |
| BOLT-UPSET,10X20 (Ref # 2)           | 112B1020    | 1        |
| WASHER SPRING 10MM (Ref # 3)         | 461F1000    | 1        |
| WASHER PLAIN 10MM (Ref # 4)          | 410B1000    | 1        |
| WASHER PLAIN 10MM (Ref # 4)          | 411B1000    | 1        |
| BOLT-SMALL-UPSET (Ref # 5)           | 115G0845    | 1        |
| WASHER PLAIN 8MM (Ref # 6)           | 410B0800    | 1        |
| WASHER SPRING 8MM (Ref # 7)          | 461F0800    | 1        |
| NUT,8M/M (Ref # 8)                   | 317B0800    | 1        |
| GUARD,SADDLE BAG,LH (Ref # 9)        | 55020-1071  | 1        |
| GUARD,SADDLE BAG,RH (Ref # 9)        | 55020-1072  | 1        |
| BOLT-UPSET,10X30 (Ref # 10)          | 112G1030    | 1        |
| BOLT,HEX HEAD 10X40 (Ref # 11)       | 92001-1253  | 1        |
| BRACKET,CARRIER DAMPE (Ref # 12)     | 11034-4137  | 1        |
| GUARD,RR (Ref # 13)                  | 55020-1073  | 1        |
| BOLT-SMALL-UPSET 8X25 (Ref # 14)     | 115G0825    | 2        |
| NUT,8MM (Ref # 15)                   | 311B0800    | 1        |
| NUT,CAP,8M/M (Ref # 16)              | 323N0800    | 1        |
| BOLT-SMALL-UPSET (Ref # 17)          | 115B0832    | 1        |
| SADDLEBAG,LH (Ref # 18)              | 56008-4006  | 1        |
| SADDLEBAG,RH (Ref # 18)              | 56008-4007  | 1        |
| WASHER,8.5X20X1.6 (Ref # 19)         | 92022-1561  | 1        |
| COLLAR (Ref # 20)                    | 92027-280   | 1        |
| DAMPER,SADDLEBAG (Ref # 21)          | 92075-303   | 1        |
| KEY SET-POLICE SDDLBG (Ref # 22)     | 27008-4001  | 1        |
| DAMPER-AMP HARNESS (Ref # 23)        | 92075-4012  | 1        |
| LABEL,TIRE&LOAD DATA (Ref # 24)      | 56037-4012  | 1        |
| UNAVAILABLE IN PRICE BOOK (Ref # 25) | 162B1-020   | 2        |
| BOLT-FINE-WSP (Ref # 27)             | 162B1030    | 1        |