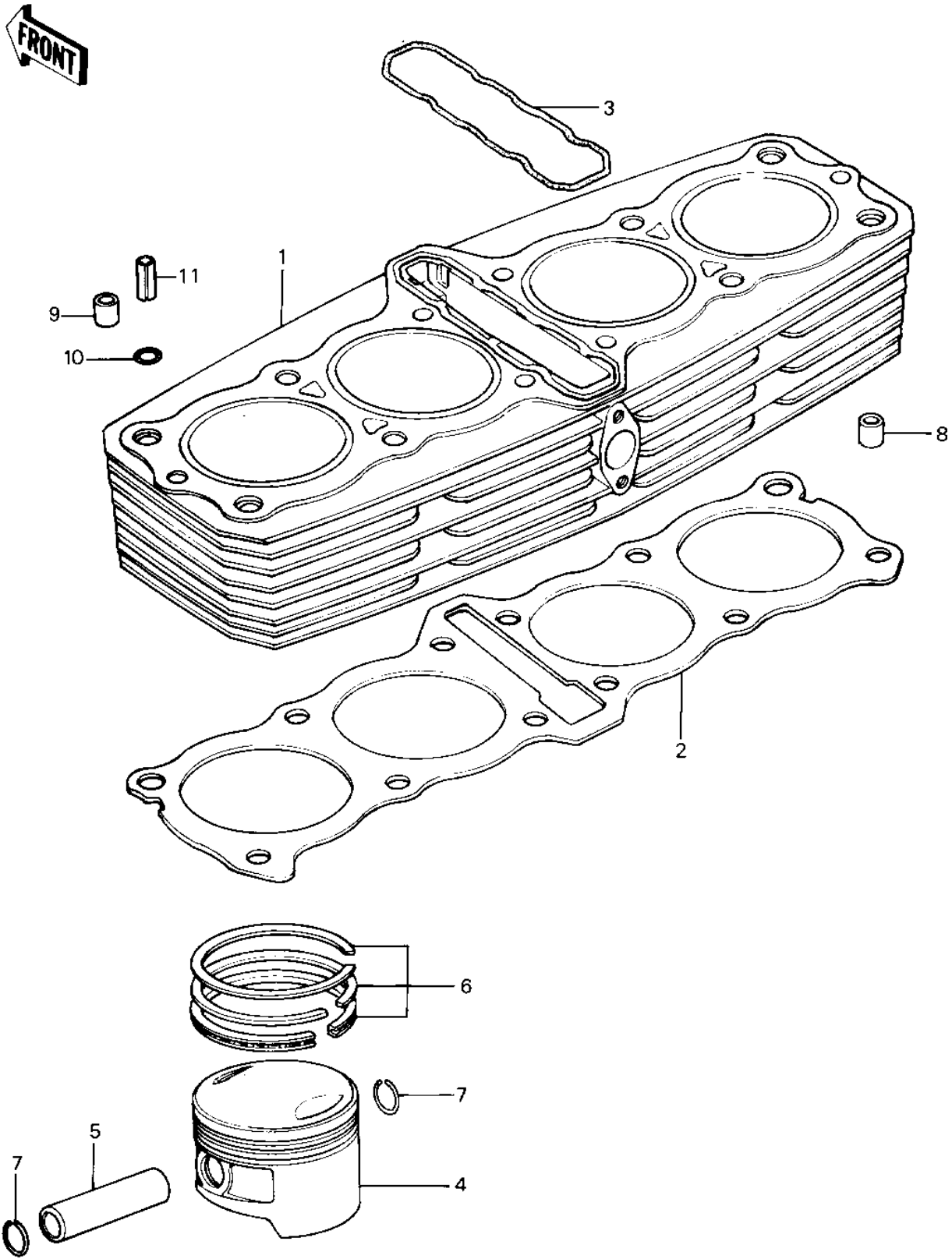


1982 Police 1000 PARTS DIAGRAM

CYLINDER/PISTON



1982 Police 1000 PARTS LIST

CYLINDER/PISTON

ITEM NAME	PART NUMBER	QUANTITY
11005-1327 (Canada) (Ref # 1)	11005-1116	1
CYLINDER-ENGINE,SILVE (Ref # 1)	11005-1327	1
GASKET,CYLINDER BASE (Ref # 2)	11060-1067	1
GASKET,CYLINDER (Ref # 3)	11009-1208	1
PISTON-ENGINE,STD (Ref # 4)	13001-1119	2
PISTON-ENGINE L,O/S (Ref # 4)	13029-1058	2
PISTON-ENGINE LL,O/S (Ref # 4)	13027-1056	2
PIN-PISTON (Ref # 5)	13002-1013	1
RING-SET-PISTON (Ref # 6)	13008-5035	1
RING-SET-PISTON,STD (Ref # 6)	13008-5056	1
RING SET,050 O/S (Ref # 6)	13025-5018	1
RING-SET PISTON L,O/S (Ref # 6)	13025-5024	1
RING SET,1.10 O/S (Ref # 6)	13024-5018	1
RING-SET PISTON LL (Ref # 6)	13024-5024	1
RING-SNAP (Ref # 7)	92033-1054	1
PIN,11X14X12.3 (Ref # 8)	92043-1266	1
PIN,DOWEL,10X8.2X14 (Ref # 9)	92043-1037	1
RING-0,0D=18.5MM (Ref # 10)	92055-1148	2
PIN-SPRING (Ref # 11)	49035-1051	1