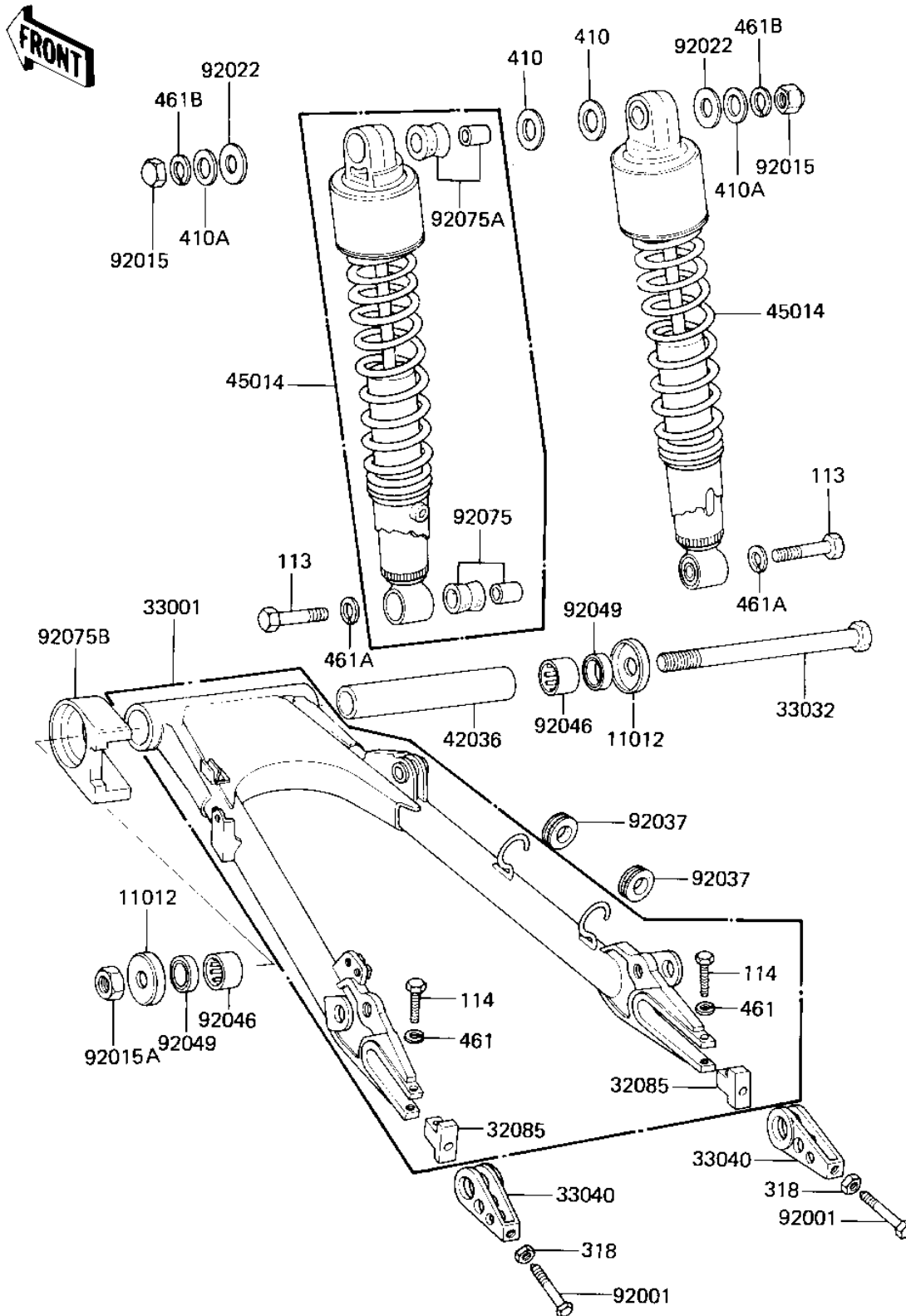


## 1982 GPz 750 PARTS DIAGRAM

SWING ARM/SHOCK ABSORBERS

F2140-0126



## 1982 GPz 750 PARTS LIST

### SWING ARM/SHOCK ABSORBERS

ITEM NAME	PART NUMBER	QUANTITY
CAP,SWING ARM (Ref # 11012)	33035-009	1
STOPPER,CHAIN ADJUST (Ref # 32085)	33044-002	1
ARM-COMP-SWING,BLACK (Ref # 33001)	33001-1136-10	1
SHAFT-SWING ARM,16X31 (Ref # 33032)	33032-1028	1
ADJUSTER,CHAIN (Ref # 33040)	33040-056	1
SLEEVE,SWING ARM (Ref # 42036)	42036-1012	1
SHOCKABSORBER,RR,BLAC (Ref # 45014)	45014-1178-10	1
BOLT,8X50 (Ref # 92001)	92001-1399	1
NUT,LOCK,CAP,12MM,BLA (Ref # 92015)	92015-1192	1
NUT,LOCK,16MM,BLACK (Ref # 92015A)	92015-1207	1
WASHER,12.4X28X2.3,BL (Ref # 92022)	92022-1303	1
DAMPER RUBBER (Ref # 92037)	43064-007	1
BEARING-NEEDLE,HK2216 (Ref # 92046)	92046-1115	1
OIL SEAL,MHA22284 (Ref # 92049)	92049-1059	1
BUSHING,SHOCK ABSORBE (Ref # 92075)	45017-019	1
BUSHING,SHOCK ABSORBE (Ref # 92075A)	92075-1141	1
DAMPER, (Ref # 92075B)	92075-1144	1
BOLT-SMALL-FINE,10X35 (Ref # 113)	112C1035	1
BOLT,SMALL UPSET (Ref # 114)	115G0835	1
NUT 8MM (Ref # 318)	318B0800	1
WASHER PLAIN 14MM (Ref # 410)	410B1400	1
WASHER-PLANE-SMALL (Ref # 410A)	410F1200	1
WASHER SPRING 8MM (Ref # 461)	461F0800	1
WASHER-SPRING,10MM (Ref # 461A)	461K1000	1
WASHER-SPRING,12MM,BL (Ref # 461B)	461K1200	1