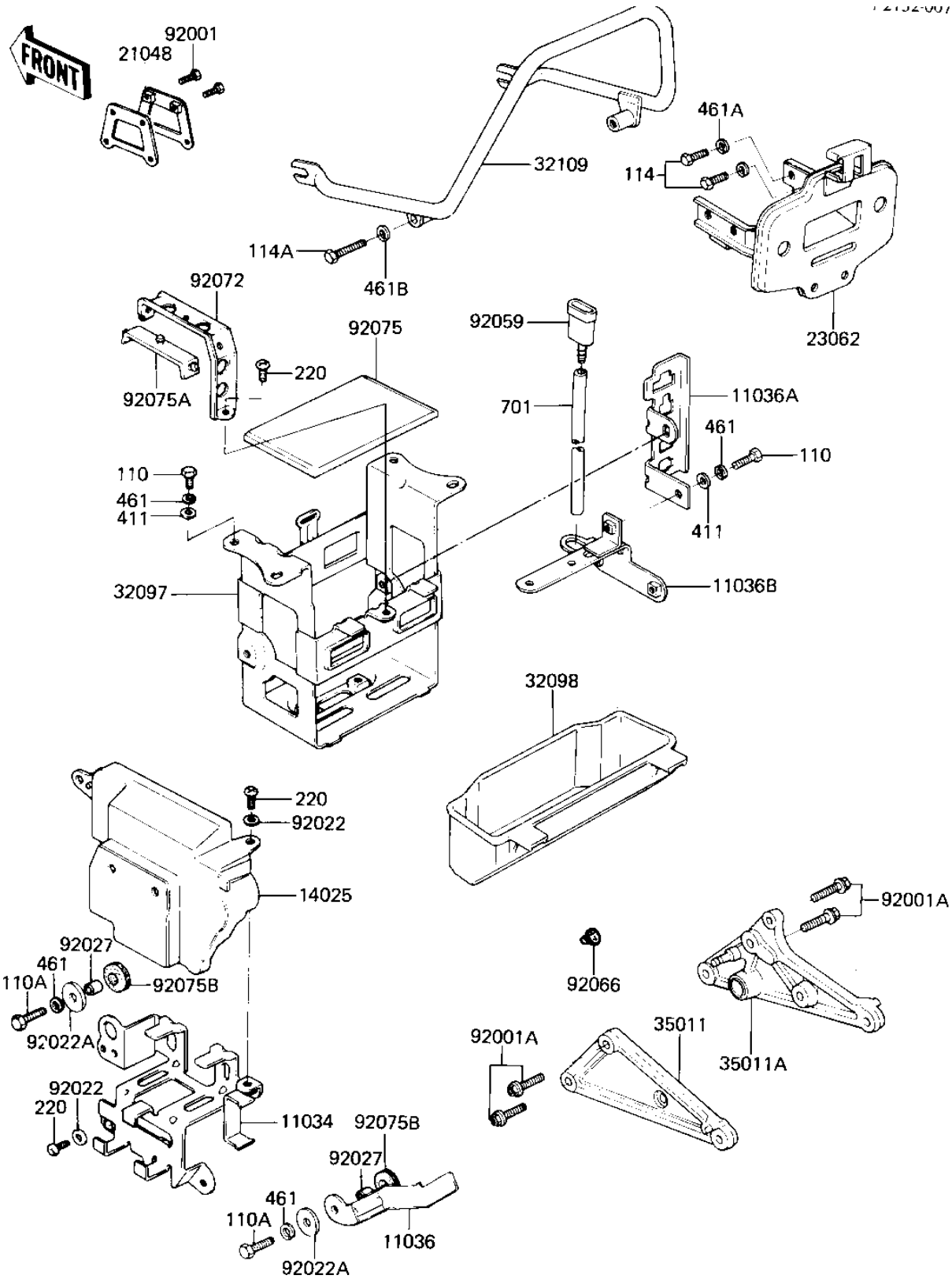


1982 GPz 750 PARTS DIAGRAM

BATTERY CASE/TOOL CASE

1412-0013



1982 GPz 750 PARTS LIST

BATTERY CASE/TOOL CASE

ITEM NAME	PART NUMBER	QUANTITY
BRACKET,ELECTRO BASE (Ref # 11034)	11034-1669	1
BRACKET-A,FUSE (Ref # 11036)	11036-1043	1
BRACKET-A,COUPLER (Ref # 11036A)	11036-1475	1
BRACKET-A,SWITCH (Ref # 11036B)	11036-1662	1
COVER,ELECTRO BASE (Ref # 14025)	14025-1191	1
PLATE,IGNITION COIL (Ref # 21048)	21048-1001	1
BRACKET-COMP,TAIL LAM (Ref # 23062)	23062-1024	1
CASE,BATTERY (Ref # 32097)	32097-1026	1
CASE,TOOL (Ref # 32098)	32098-1011	1
GRIP-FRAME (Ref # 32109)	32109-1031	1
STAY,MUFFLER,LH (Ref # 35011)	35011-1121	1
STAY,MUFFLER,RH (Ref # 35011A)	35011-1122	1
BOLT,HEX HEAD,6MM (Ref # 92001)	92001-137	1
BOLT,FLANGED,8X28,BLA (Ref # 92001A)	92001-1508	1
WASHER PLAIN (Ref # 92022)	92022-024	1
WASHER,PLAIN,7MM (Ref # 92022A)	92022-228	1
COLLAR-CLAMP (Ref # 92027)	92027-291	1
CONNECTOR PIPE (Ref # 92059)	92059-101	1
PLUG,9.5X8 (Ref # 92066)	92066-1077	1
BAND,FUEL TANK (Ref # 92072)	92072-1073	1
DAMPER,BATTERY BASE (Ref # 92075)	92075-1076	1
DAMPER,BATTERY BAND (Ref # 92075A)	92075-1113	1
DAMPER (Ref # 92075B)	92075-317	1
BOLT-UPSET,6X12 (Ref # 110)	112G0612	1
BOLT-UPSET (Ref # 110A)	112G0625	1
BOLT-SMALL-UPSET,8X16 (Ref # 114)	115G0816	1
BOLT-SMALL-UPSET (Ref # 114A)	115C0835	1
SCREW PAN HEAD 6X12 (Ref # 220)	220B0612	1
WASHER PLAIN 6MM (Ref # 411)	411B0600	1

1982 GPz 750 PARTS LIST

BATTERY CASE/TOOL CASE

ITEM NAME	PART NUMBER	QUANTITY
UNAVAILABLE IN PRICE BOOK (Ref # 461)	461B0600	2
WASHER SPRING (Ref # 461A)	461B0800	1
UNAVAILABLE IN PRICE BOOK (Ref # 701)	701006300	1