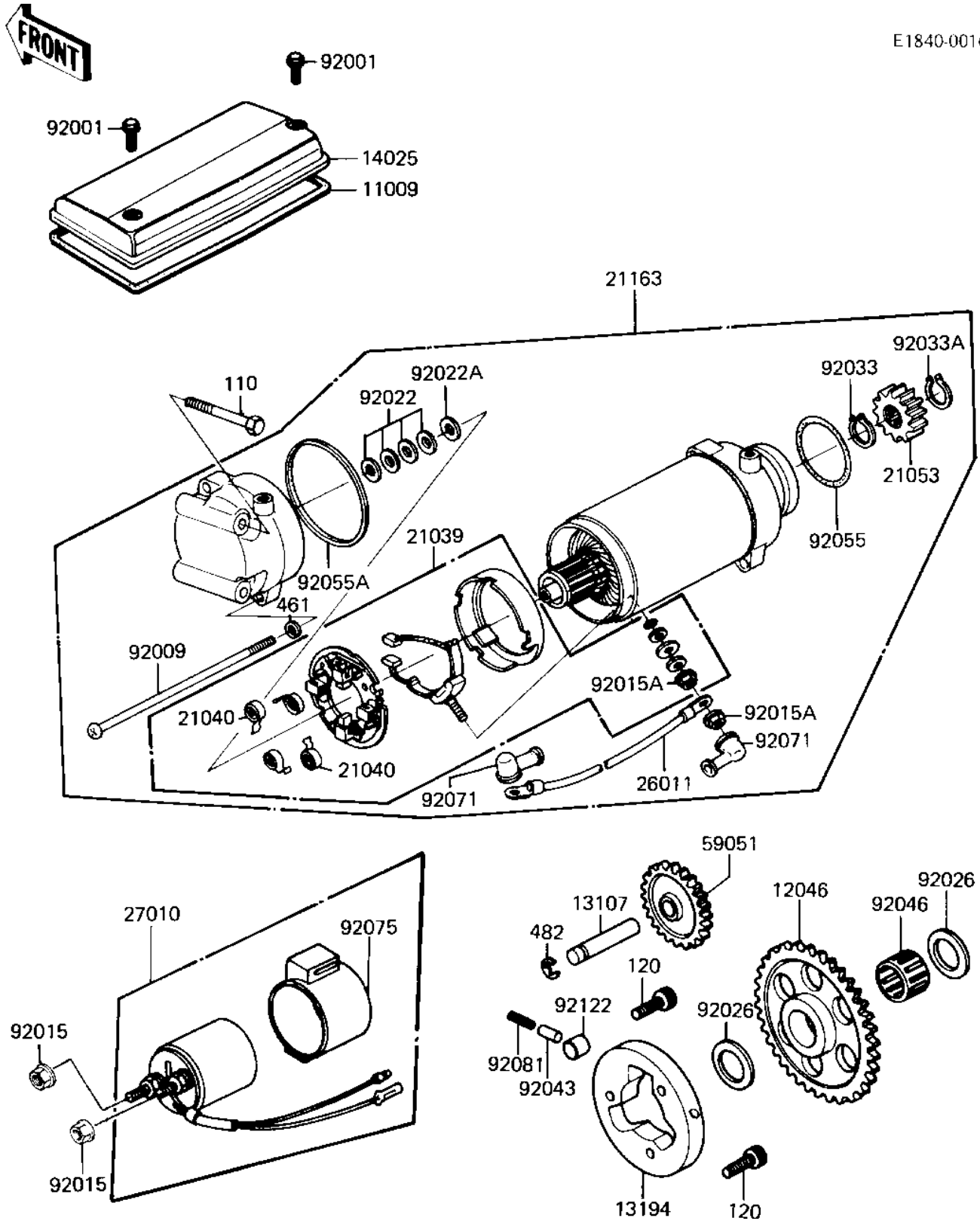


1982 GPz 750 PARTS DIAGRAM

STARTER MOTOR/STARTER CLUTCH

E1840-0016



1982 GPz 750 PARTS LIST

STARTER MOTOR/STARTER CLUTCH

ITEM NAME	PART NUMBER	QUANTITY
GASKET,STARTER COVER (Ref # 11009)	21166-003	1
SPROCKET,STARTER,58T (Ref # 12046)	12046-1032	1
SHAFT,IDLE GEAR (Ref # 13107)	21143-003	1
CLUTCH-ASSY-ONEWAY (Ref # 13191)	13193-1012	1
COVER,STARTER,F.BLACK (Ref # 14025)	14025-1441	1
BRUSH,CARBON (Ref # 21039)	21039-1053	1
SPRING-BRUSH (Ref # 21040)	21040-1003	1
PINION,STARTER (Ref # 21053)	21053-004	1
STARTER-ELECTRIC (Ref # 21163)	21163-1190	1
WIRE,STARTER MOTOR (Ref # 26011)	26011-1081	1
SWITCH ASSY,MAGNETIC (Ref # 27010)	21164-005	1
GEAR,IDLE,29T (Ref # 59051)	21167-004	1
BOLT,6X10,BLACK (Ref # 92001)	92001-1525	1
SCREW,PAN HEAD,6X130 (Ref # 92009)	21099-006	1
NUT-6MM (Ref # 92015)	92015-1078	2
WASHER,THRUST,0.2T (Ref # 92022)	21025-011	1
WASHER,THRUST,0.8T (Ref # 92022A)	92022-1132	1
SPACER,25X36X3.2 (Ref # 92026)	92026-1025	1
CIRCLIP (Ref # 92033)	92033-034	1
CIRCLIP,13M/M (Ref # 92033A)	92033-037	1
PIN (Ref # 92043)	92043-087	1
BRG,NEEDLE,K253017 (Ref # 92046)	92046-056	1
"O" RING,40M/M (Ref # 92055)	21027-008	1
"O" RING,STARTER MOTR (Ref # 92055A)	92055-1086	1
GROMMET,CORD (Ref # 92071)	21017-017	1
DAMPER MAG SWITCH SHK (Ref # 92075)	21064-002	1
SPRING (Ref # 92081)	92081-110	1
ROLLER (Ref # 92122)	92122-004	1
BOLT-UPSET (Ref # 110)	112G0660	1

1982 GPz 750 PARTS LIST

STARTER MOTOR/STARTER CLUTCH

ITEM NAME	PART NUMBER	QUANTITY
BOLT, SOCKET, 8X12 (Ref # 120)	120P0812	1
WASHER SPRING 6MM (Ref # 461)	461F0600	1
CIRCLIP 12MM (Ref # 482)	482K0200	1