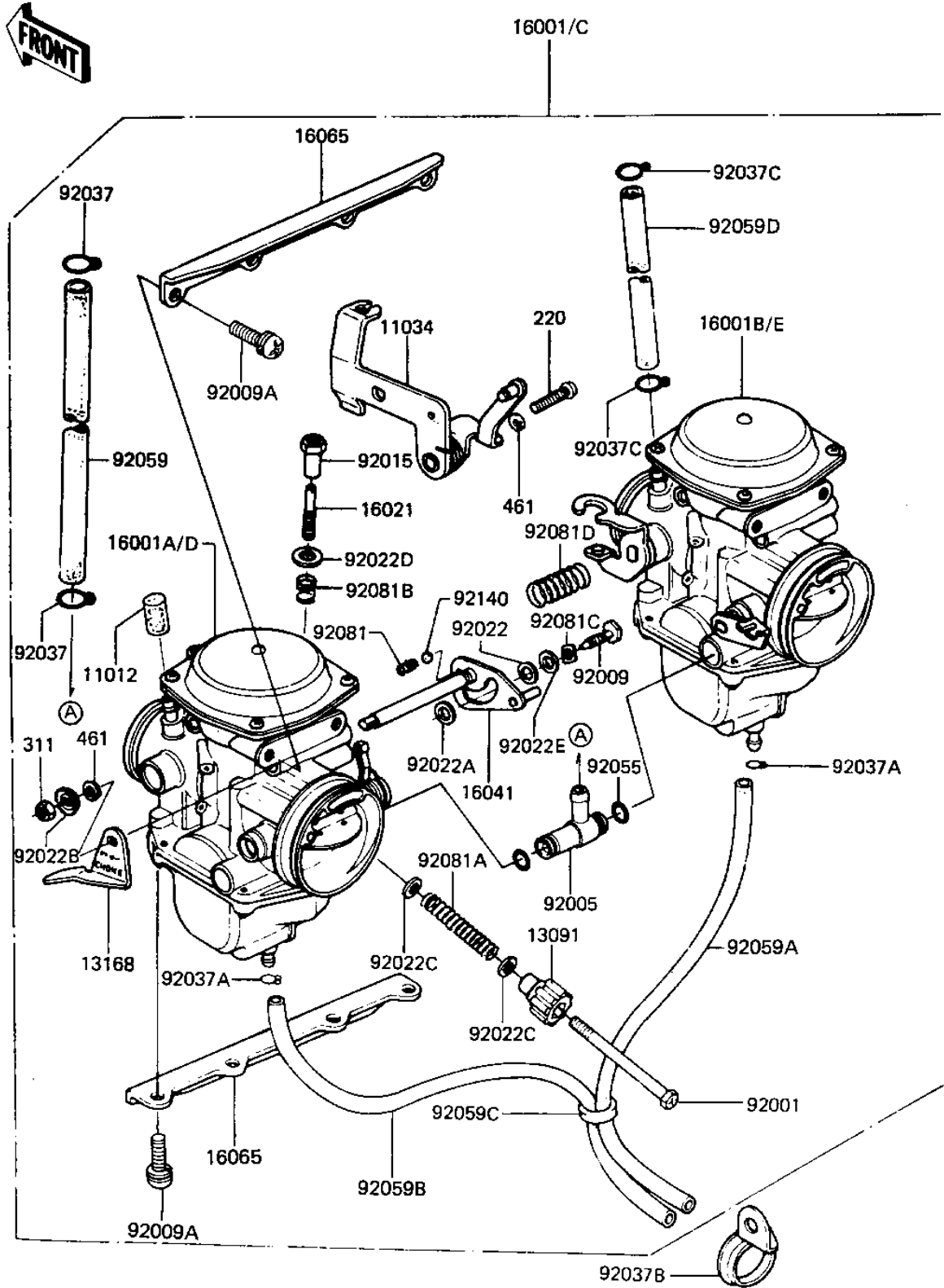


1982 KZ440 Sports, Belt PARTS DIAGRAM

CARBURETOR ASSY

E1611-0001



1982 KZ440 Sports, Belt PARTS LIST

CARBURETOR ASSY

ITEM NAME	PART NUMBER	QUANTITY
CAP,RUBBER (Ref # 11012)	11012-1129	1
BRACKET,THROTTLE CABL (Ref # 11034)	11034-1805	1
HOLDER,ADJUST (Ref # 13091)	13091-1078	1
LEVER,CHOKE (Ref # 13168)	13168-1065	1
CARBURETOR ASSY (Ref # 16001)	16001-1275	1
CARBURETOR,L.H. (Canada) (Ref # 16001A)	16001-1276	1
CARBURETOR,R.H. (Canada) (Ref # 16001B)	16001-1277	1
CARBURETOR (Ref # 16001C)	16001-1391	1
CARBURETOR,LH (Ref # 16001D)	16001-1392	1
CARBURETOR,RH (Ref # 16001E)	16001-1393	1
SCREW,SLOTTED (Ref # 16021)	16021-1027	1
SHAFT,LINK (Ref # 16041)	16041-1020	1
PLATE,STAY (Ref # 16065)	16065-1012	1
BOLT,HEX HEAD,5X70 (Ref # 92001)	92001-1328	1
FITTING,FUEL TUBE (Ref # 92005)	92005-1026	1
SCREW,LINK SHAFT (Ref # 92009)	92009-1096	1
SCREW,6X16 (Ref # 92009A)	92009-1129	1
NUT,5M/M (Ref # 92015)	92015-1118	1
WASHER,6.1X11X0.8,POL (Ref # 92022)	92022-1199	1
WASHER,6.4X9.4X0.8,PL (Ref # 92022A)	92022-1200	1
WASHER,LOCK,5M/M (Ref # 92022B)	92022-1201	1
WASHER (Ref # 92022C)	92022-1203	1
WASHER (Ref # 92022D)	92022-1204	1
WASHER,6.5X11X1.2,STL (Ref # 92022E)	92022-1207	1
CLAMP,FUEL INLET TUBE (Ref # 92037)	92037-1075	1
CLAMP,TUBE,OVERFLOW (Ref # 92037A)	92037-1142	1
CLAMP,TUBE (Ref # 92037B)	92037-1153	1
CLAMP,TUBE (Ref # 92037C)	92037-1241	1
"O" RING (Ref # 92055)	92055-1004	1

1982 KZ440 Sports, Belt PARTS LIST

CARBURETOR ASSY

ITEM NAME	PART NUMBER	QUANTITY
TUBE,FUEL INLET (Ref # 92059)	92059-1029	1
HOSE,FUEL OVERFLOW (Ref # 92059A)	92059-1046	1
HOSE,FUEL OVERFLOW (Ref # 92059B)	92059-111	1
TUBE,CLAMP (Ref # 92059C)	92059-1141	1
TUBE,5X9X160 (Ref # 92059D)	92059-1201	1
SPRING (Ref # 92081)	92081-1249	1
SPRING (Ref # 92081A)	92081-1251	1
SPRING (Ref # 92081B)	92081-1252	1
SPRING,WAVED WASHER (Ref # 92081C)	92081-1262	1
SPRING (Ref # 92081D)	92081-1414	1
BALL,STEEL,3/16" (Ref # 92140)	92140-1004	1
SCREW PAN HEAD 5X20 (Ref # 220)	220B0520	1
NUT,5MM (Ref # 311)	311B0500	1
WASHER SPRING 5MM (Ref # 461)	461F0500	1