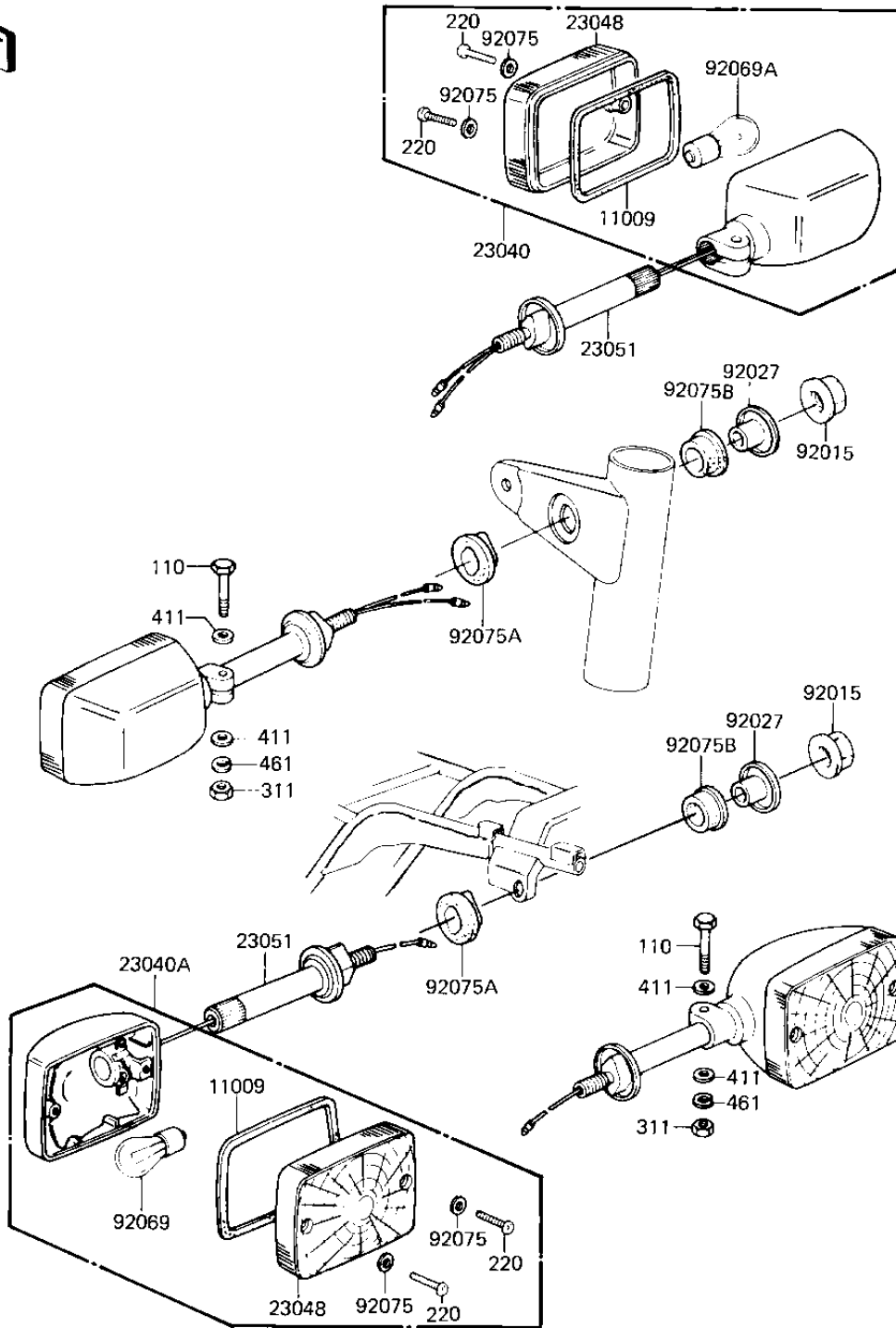


1982 KZ1300 Standard PARTS DIAGRAM

TURN SIGNALS

F2730-0081



1982 KZ1300 Standard PARTS LIST

TURN SIGNALS

| ITEM NAME | PART NUMBER | QUANTITY |
|--------------------------------------|-------------|----------|
| GASKET,TURN SIGNAL (Ref # 11009) | 11009-1102 | 1 |
| LAMP ASSY,TURN SIGNAL (Ref # 23040) | 23040-1021 | 1 |
| LAMP,ASSY,TURN SIGNAL (Ref # 23040A) | 23040-1022 | 1 |
| LENS SIGNAL LAMP FR (Ref # 23048) | 23048-1020 | 1 |
| BRACKET,TURN SIGNAL (Ref # 23051) | 23051-1023 | 1 |
| NUT,FLANGED,10MM (Ref # 92015) | 92015-1428 | 1 |
| COLLAR (Ref # 92027) | 92027-147 | 1 |
| BULB 12V 32CP (Ref # 92069) | 92069-055 | 1 |
| BULB,12V 23/8W (Ref # 92069A) | 92069-060 | 1 |
| WASHER-PLAIN,4MM (Ref # 92075) | 23058-002 | 1 |
| DAMPER RUBBER (Ref # 92075A) | 92075-128 | 1 |
| DAMPER RUBBER,SIG LM (Ref # 92075B) | 92075-158 | 1 |
| BOLT-UPSET (Ref # 110) | 112G0630 | 1 |
| SCREW,PAN HEAD,4X16 (Ref # 220) | 220E0416A | 1 |
| NUT 6MM (Ref # 311) | 311B0600 | 1 |
| WASHER PLAIN 6MM (Ref # 411) | 411B0600 | 1 |
| WASHER SPRING 6MM (Ref # 461) | 461F0600 | 1 |