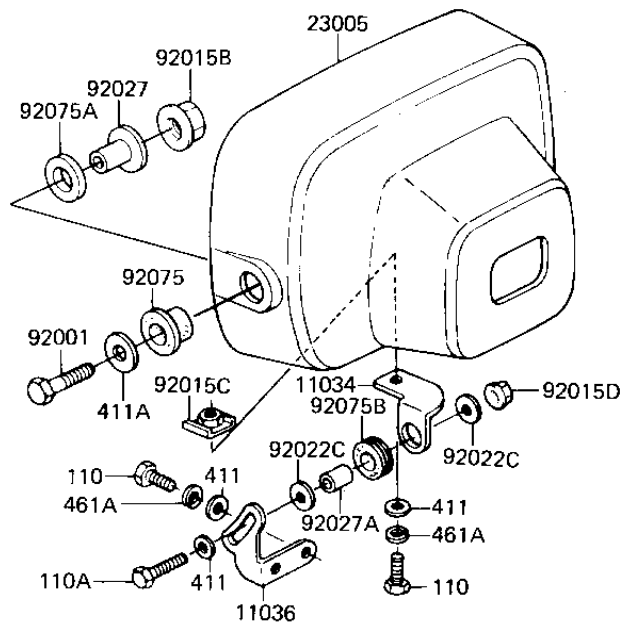
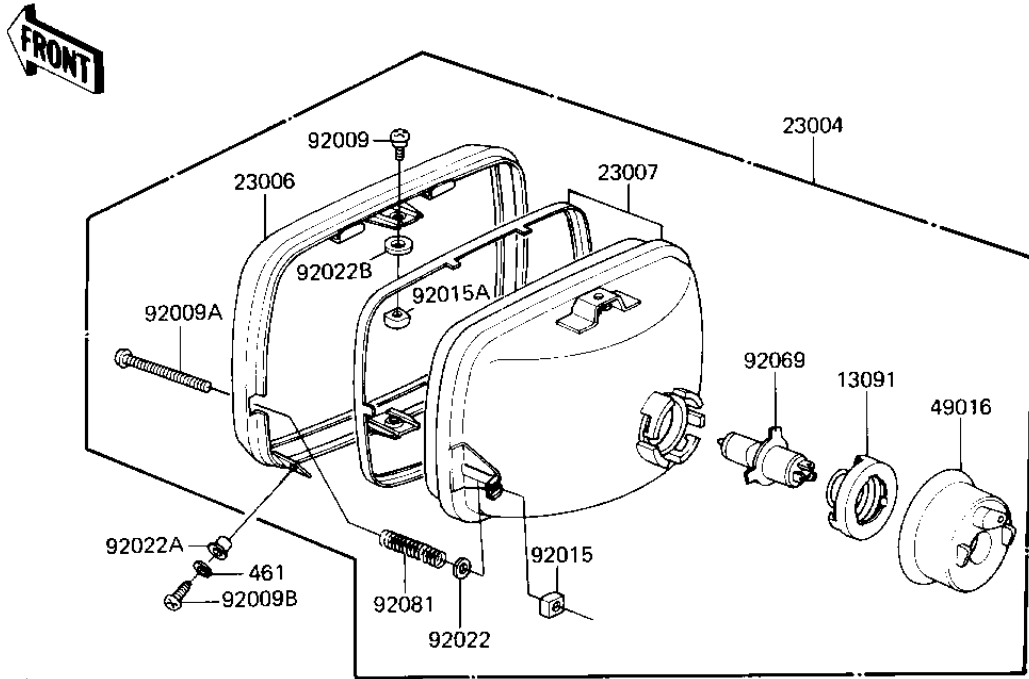


1982 KZ1300 Standard PARTS DIAGRAM

HEADLIGHT

F2710-0118



1982 KZ1300 Standard PARTS LIST

HEADLIGHT

ITEM NAME	PART NUMBER	QUANTITY
BRACKET,HEAD LAMP BDY (Ref # 11034)	11034-1289	1
BRACKET,HEAD LAMP (Ref # 11036)	11036-1042	1
HOLDER,HEAD LAMP SOCK (Ref # 13091)	13091-1036	1
LAMP-HEAD (Ref # 23004)	23004-1075	1
BODY-COMP-HEAD LAMP,F (Ref # 23005)	23005-1024-21	1
RIM,HEAD LAMP (Ref # 23006)	23006-1005	1
LENS-COMP (Ref # 23007)	23007-1041	1
COVER,HEAD LAMP SOCKE (Ref # 49016)	49016-1023	1
BOLT 8X38 (Ref # 92001)	92001-1405	1
SCREW-PAN HEAD,5X12 (Ref # 92009)	23019-023	1
SCREW,HEAD LAMP LENS (Ref # 92009A)	92009-1047	1
SCREW-PAN HEAD,5MM (Ref # 92009B)	92011-024	1
NUT,4MM (Ref # 92015)	23020-018	1
NUT,HEAD LAMP RIM FIT (Ref # 92015A)	23020-023	1
NUT,8M/M (Ref # 92015B)	92015-1014	1
NUT,HEAD LAMP BODY FT (Ref # 92015C)	92015-1050	1
NUT-6MM (Ref # 92015D)	92015-1078	1
WASHER (Ref # 92022)	23021-004	1
WASHER (Ref # 92022A)	23021-010	1
WASHER-PLAIN,5MM (Ref # 92022B)	23021-012	1
WASHER 6.5X20X1.6T (Ref # 92022C)	92022-125	1
COLLAR,HEAD LAMP FITT (Ref # 92027)	92027-1131	1
COLLAR,REAR FENDER (Ref # 92027A)	92027-162	1
BULB,12V-60/55W (Ref # 92069)	92069-1002	1
DAMPER,HEAD LAMP FITT (Ref # 92075)	92075-1109	1
DAMPER,HEAD LAMP FITT (Ref # 92075A)	92075-1110	1
DAMPER RUBBER,RR FENR (Ref # 92075B)	92075-209	1
SPRING,HEAD LAMP LENS (Ref # 92081)	92081-1103	1
BOLT-UPSET,6X16 (Ref # 110)	112G0616	1

1982 KZ1300 Standard PARTS LIST

HEADLIGHT

ITEM NAME	PART NUMBER	QUANTITY
BOLT-UPSET (Ref # 110A)	112G0630	1
WASHER PLAIN 6MM (Ref # 411)	411B0600	1
WASHER,PLAIN,8MM (Ref # 411A)	411D0800	1
WASHER SPRING 5MM (Ref # 461)	461F0500	1
WASHER SPRING 6MM (Ref # 461A)	461F0600	1