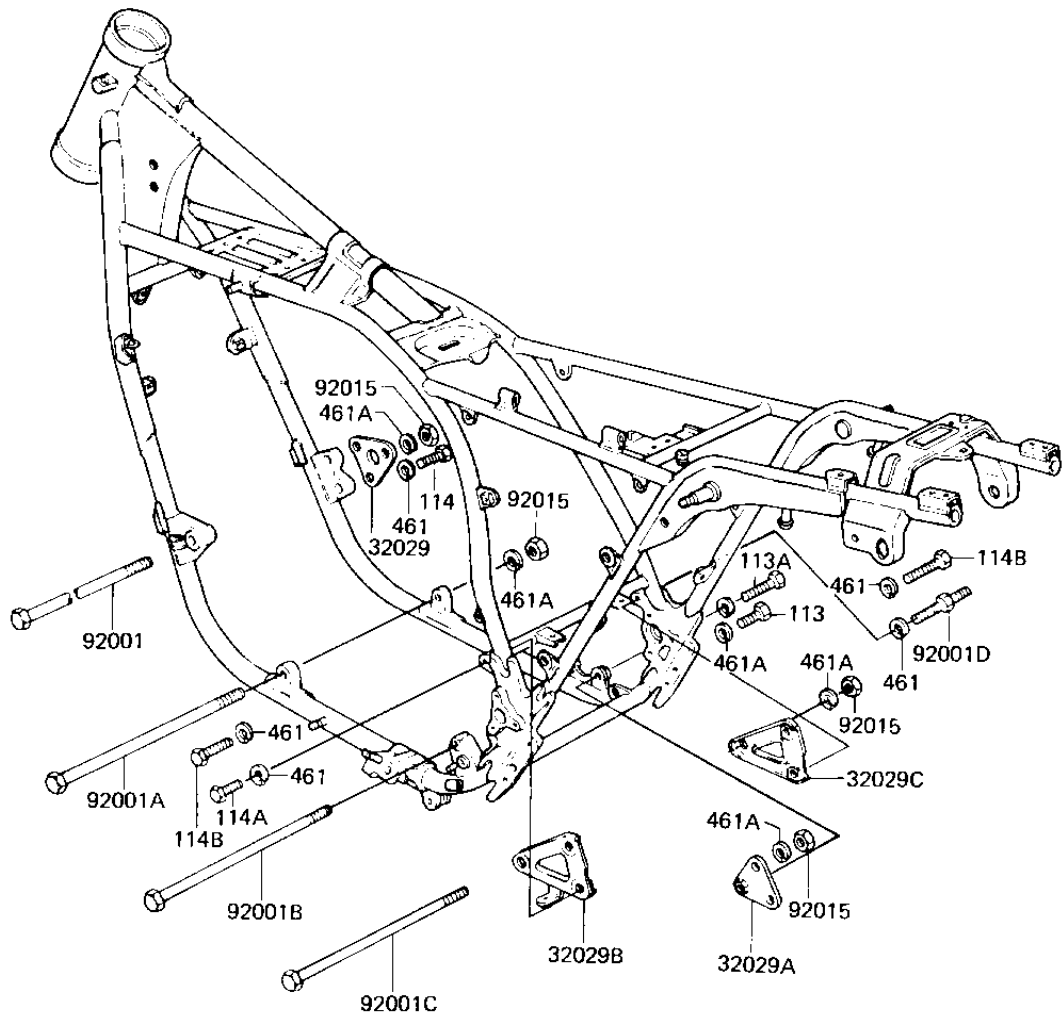


## 1982 KZ1300 Standard PARTS DIAGRAM

FRAME FITTINGS

F-2131-0104



## 1982 KZ1300 Standard PARTS LIST

### FRAME FITTINGS

ITEM NAME	PART NUMBER	QUANTITY
BRACKET,ENGINE,FRONT (Ref # 32029)	32029-1061	1
BRACKET,ENGINE,REAR (Ref # 32029A)	32029-1062	1
BRACKET,ENGINE,REAR (Ref # 32029B)	32029-1063	1
BRACKET,ENGINE,REAR (Ref # 32029C)	32029-1064	1
BOLT,HEX HEAD,10X369 (Ref # 92001)	92001-1126	1
BOLT,HEX HEAD,10X3/3 (Ref # 92001A)	92001-1127	1
BOLT,HEX HEAD,10X305 (Ref # 92001B)	92001-1128	1
BOLT,HEX HEAD,10X287 (Ref # 92001C)	92001-1129	1
BOLT,ENGINE BRACKET (Ref # 92001D)	92001-1400	1
NUT,10MM (Ref # 92015)	92015-1429	1
BOLT,HEX HEAD,10X16 (Ref # 113)	113G1016	1
BOLT,HEX HEAD 10X40 (Ref # 113A)	92001-1253	1
BOLT,8X22 (Ref # 114)	114G0822	1
BOLT-SMALL-UPSET 8X25 (Ref # 114A)	115G0825	1
BOLT,8X40 (Ref # 114B)	115G0840	1
WASHER SPRING 8MM (Ref # 461)	461F0800	1
WASHER SPRING 10MM (Ref # 461A)	461F1000	1