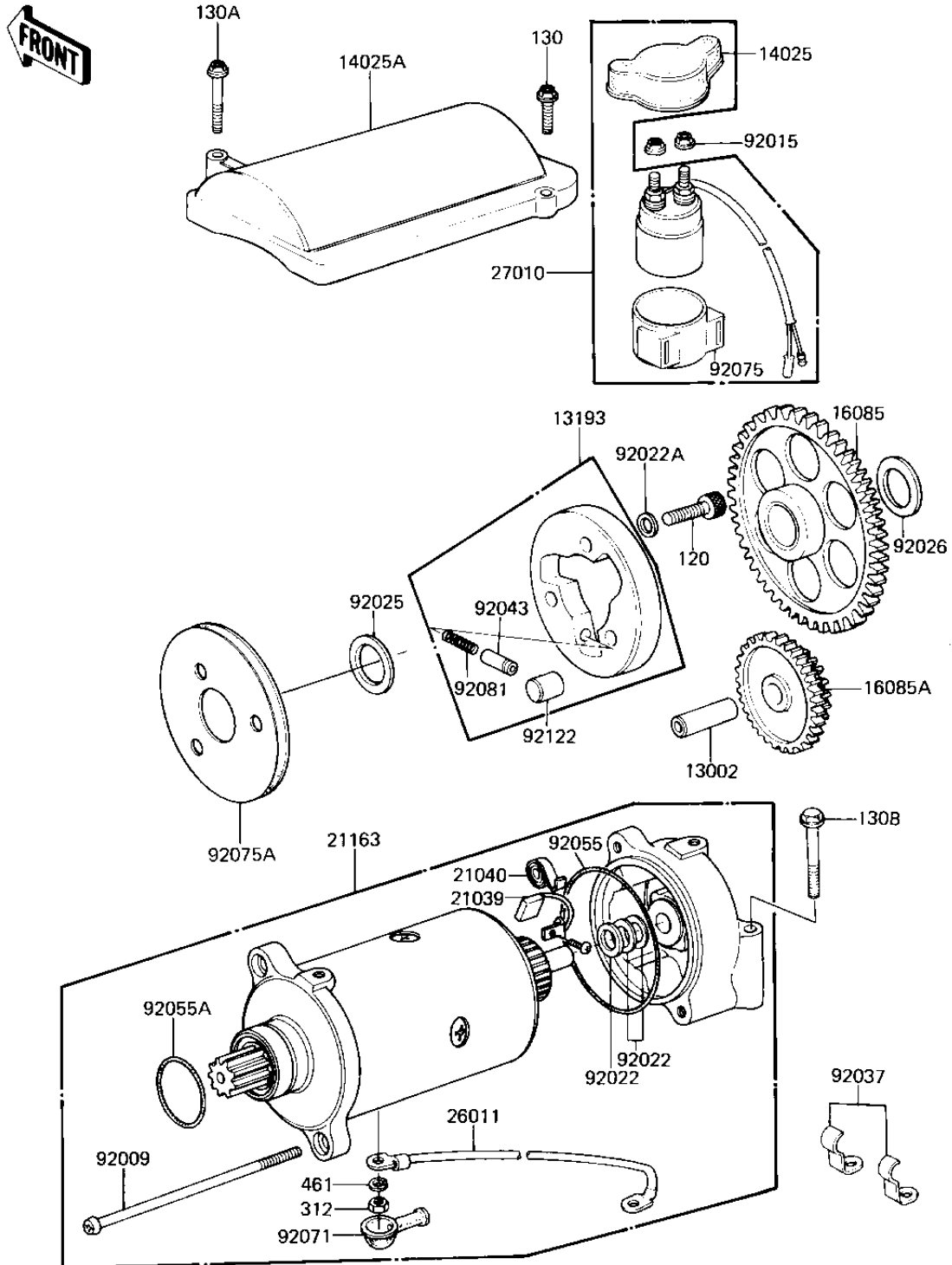


1982 KZ1300 Standard PARTS DIAGRAM

STARTER MOTOR/STARTER CLUTCH

E1840-0027



1982 KZ1300 Standard PARTS LIST

STARTER MOTOR/STARTER CLUTCH

| ITEM NAME | PART NUMBER | QUANTITY |
|--------------------------------------|-------------|----------|
| PIN-PISTON (Ref # 13002) | 13002-019 | 1 |
| CLUTCH-ASSY-ONEWAY (Ref # 13193) | 13193-1012 | 1 |
| COVER,MAGNETIC SWITCH (Ref # 14025) | 14025-1165 | 1 |
| COVER,STARTER MOTOR (Ref # 14025A) | 14025-1752 | 1 |
| GEAR,STARTER CLUTCH (Ref # 16085) | 16085-1010 | 1 |
| GEAR,STARTER REDUCTON (Ref # 16085A) | 16085-1011 | 1 |
| CARBON BRUSH (Ref # 21039) | 21039-003 | 1 |
| SPRING,CARBON BRUSH (Ref # 21040) | 21040-003 | 1 |
| STARTER-ELECTRIC (Ref # 21163) | 21163-1030 | 1 |
| WIRE,LEAD,STARTER MTR (Ref # 26011) | 26011-1054 | 1 |
| SWITCH,MAGNETIC (Ref # 27010) | 27010-1025 | 1 |
| SCREW,PAN HEAD,6X110 (Ref # 92009) | 21015-005 | 1 |
| NUT-6MM (Ref # 92015) | 92015-1078 | 1 |
| WASHER,THRUST,0.2T (Ref # 92022) | 21025-011 | 1 |
| WASHER,PLAIN (Ref # 92022A) | 92022-1108 | 1 |
| SHIM,25.3X36X0.3 (Ref # 92025) | 92025-1019 | 1 |
| SPACER,25X34X2.3 (Ref # 92026) | 92026-1059 | 1 |
| CLAMP,LEAD WIRE (Ref # 92037) | 92037-1345 | 1 |
| PIN (Ref # 92043) | 92043-087 | 1 |
| "O" RING,STARTING MTR (Ref # 92055) | 21027-003 | 1 |
| "O" RING,STARTING MTR (Ref # 92055A) | 21027-004 | 1 |
| GROMMET,CORD (Ref # 92071) | 21017-017 | 1 |
| DAMPER MAG SWITCH SHK (Ref # 92075) | 21064-002 | 1 |
| DAMPER (Ref # 92075A) | 92075-1390 | 1 |
| SPRING (Ref # 92081) | 92081-110 | 1 |
| ROLLER (Ref # 92122) | 92122-004 | 1 |
| BOLT,SOCKET,8X25 (Ref # 120) | 120P0825 | 1 |
| BOLT,FLANGED,6X25 (Ref # 130) | 130B0625 | 1 |
| BOLT,FLANGED,6X40 (Ref # 130A) | 130B0640 | 1 |

1982 KZ1300 Standard PARTS LIST

STARTER MOTOR/STARTER CLUTCH

| ITEM NAME | PART NUMBER | QUANTITY |
|--------------------------------|-------------|----------|
| BOLT,FLANGED,6X55 (Ref # 130B) | 130G0655 | 1 |