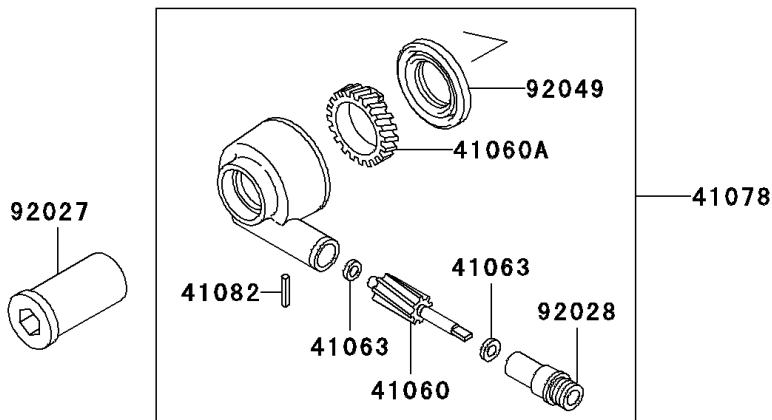
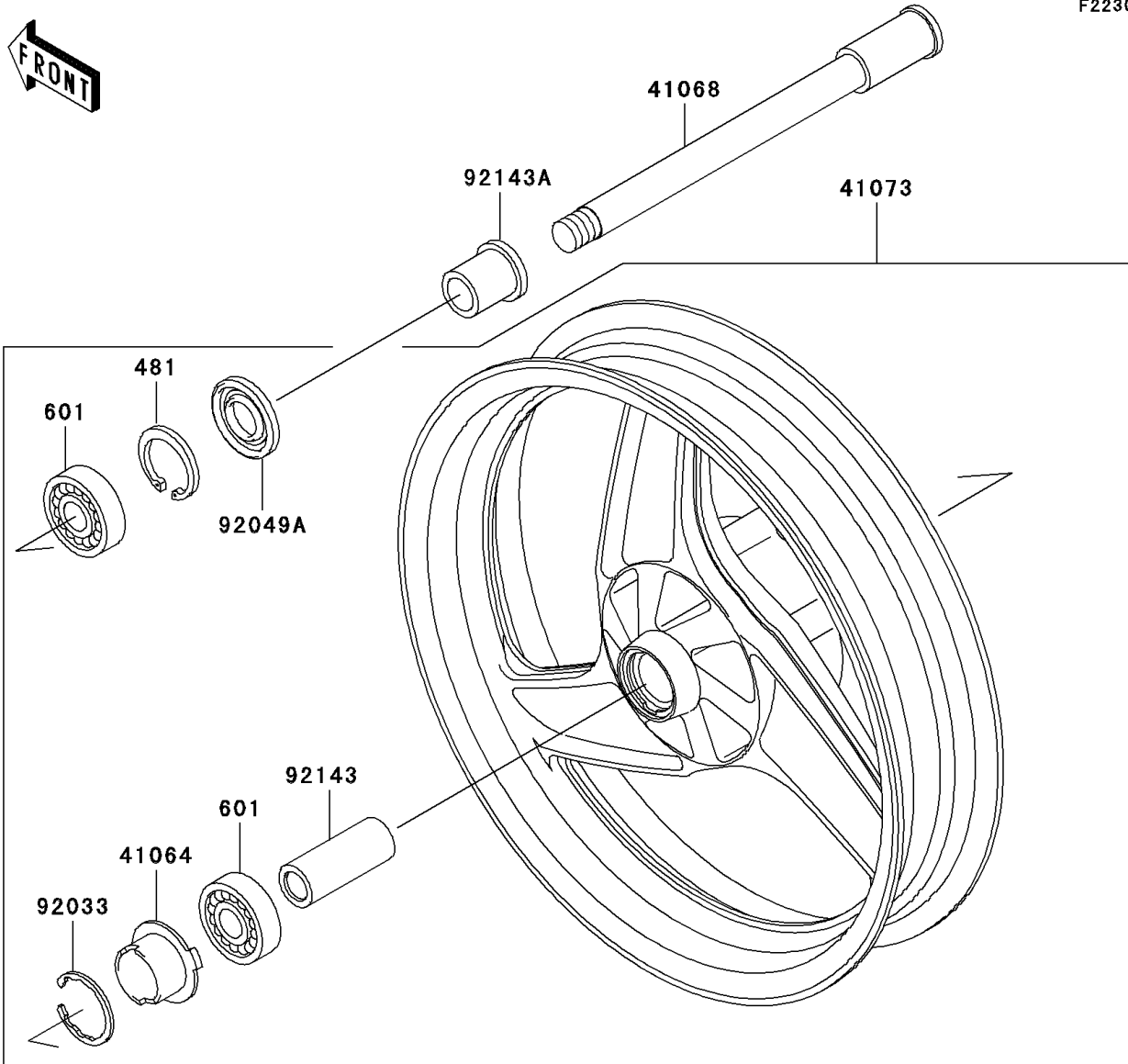


1999 NINJA® 500R PARTS DIAGRAM

Front Wheel

F2230



1999 NINJA® 500R PARTS LIST

Front Wheel

ITEM NAME	PART NUMBER	QUANTITY
CIRCLIP-TYPE-C,35MM (Ref # 481)	481J3500	1
BEARING-BALL (Ref # 601)	601B6202UU	1
GEAR-METER SCREW,9T (Ref # 41060)	41060-1123	1
GEAR-METER SCREW,23T (Ref # 41060A)	41060-1124	1
WASHER,5.1X9X0.4 (Ref # 41063)	41063-001	1
RECEIVER-SPEEDOMETER (Ref # 41064)	41064-1006	1
AXLE,FR (Ref # 41068)	41068-1175	1
WHEEL-ASSY,FR,G.GRAY (Ref # 41073)	41073-1543-GE	1
CASE-ASSY-METER GEAR (Ref # 41078)	41078-1068	1
PIN,SPRING (Ref # 41082)	41082-001	1
COLLAR,FR AXLE,L=36.5 (Ref # 92027)	92027-1726	1
BUSHING,SPEEDOMETER (Ref # 92028)	92028-1066	1
RING-SNAP,42MM (Ref # 92033)	92033-1041	1
SEAL-OIL,BJN30427-C3 (Ref # 92049)	92049-1057	1
SEAL-OIL,MH20354.5 (Ref # 92049A)	92049-1176	1
COLLAR,15.1X20X70 (Ref # 92143)	92143-1185	1
COLLAR,FR AXLE,L=24 (Ref # 92143A)	92143-1187	1