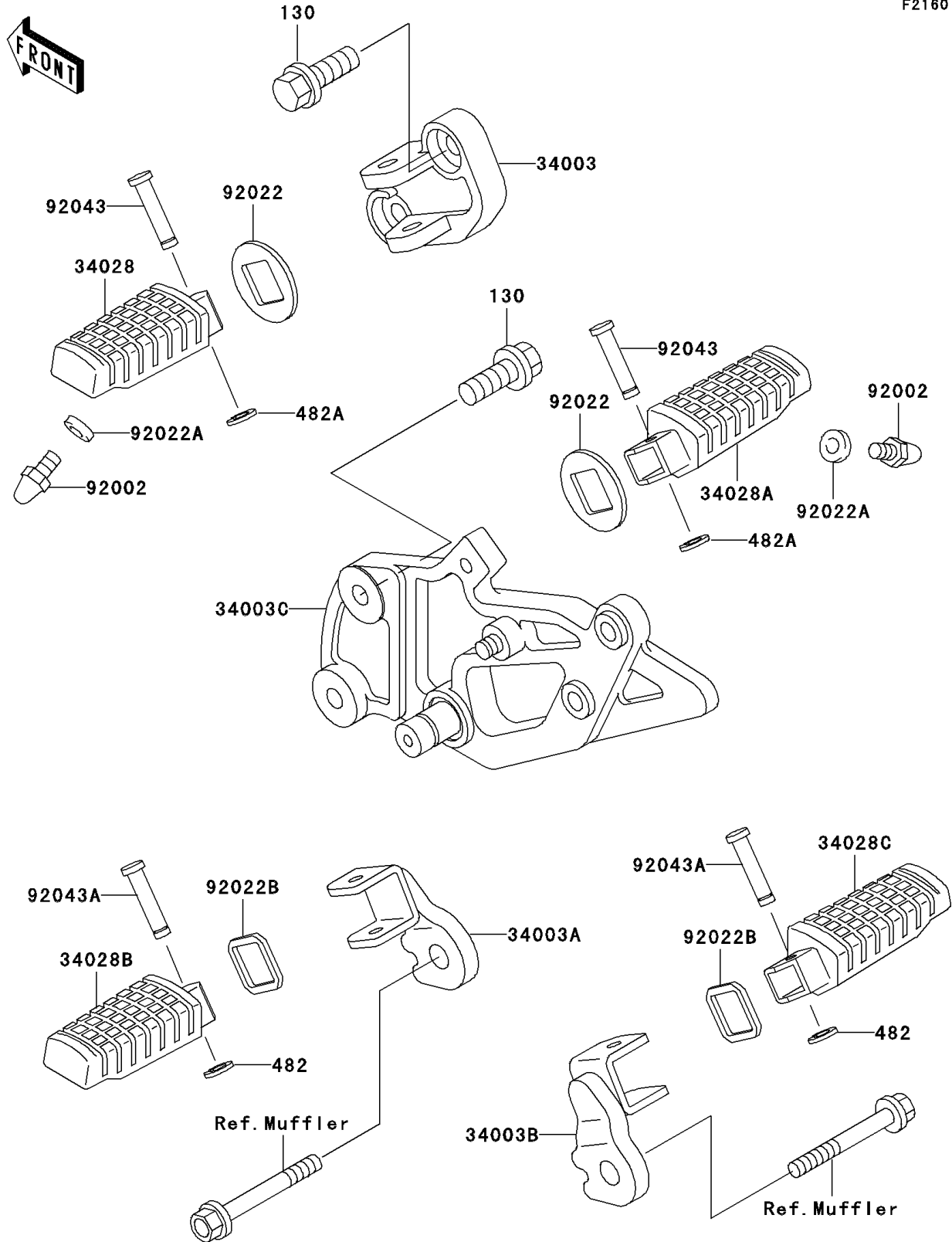


1999 NINJA® 500R PARTS DIAGRAM

Footrests

F2160



1999 NINJA® 500R PARTS LIST

Footrests

| ITEM NAME | PART NUMBER | QUANTITY |
|------------------------------------|-------------|----------|
| BOLT-FLANGED,8X20 (Ref # 130) | 130J0820 | 1 |
| CIRCLIP-TYPE-E,5MM (Ref # 482) | 482L5000 | 1 |
| CIRCLIP-TYPE-E (Ref # 482A) | 482L7000 | 1 |
| HOLDER-STEP,FR,LH (Ref # 34003) | 34003-1319 | 1 |
| HOLDER-STEP,RR,LH (Ref # 34003A) | 34003-1321 | 1 |
| HOLDER-STEP,RR,RH (Ref # 34003B) | 34003-1322 | 1 |
| HOLDER-STEP,FR,RH (Ref # 34003C) | 34003-1394 | 1 |
| STEP,FR,LH (Ref # 34028) | 34028-1193 | 1 |
| STEP,FR,RH (Ref # 34028A) | 34028-1194 | 1 |
| STEP,RR,LH (Ref # 34028B) | 34028-1195 | 1 |
| STEP,RR,RH (Ref # 34028C) | 34028-1196 | 1 |
| BOLT,BANK SENSOR (Ref # 92002) | 92002-1995 | 1 |
| WASHER,STEP FITTING (Ref # 92022) | 92022-1314 | 1 |
| WASHER,6.5X13X2.0 (Ref # 92022A) | 92022-1523 | 1 |
| WASHER,STEP FITTING (Ref # 92022B) | 92022-1797 | 1 |
| PIN,8X40.5 (Ref # 92043) | 92043-1326 | 1 |
| PIN,6X30 (Ref # 92043A) | 92043-1607 | 1 |