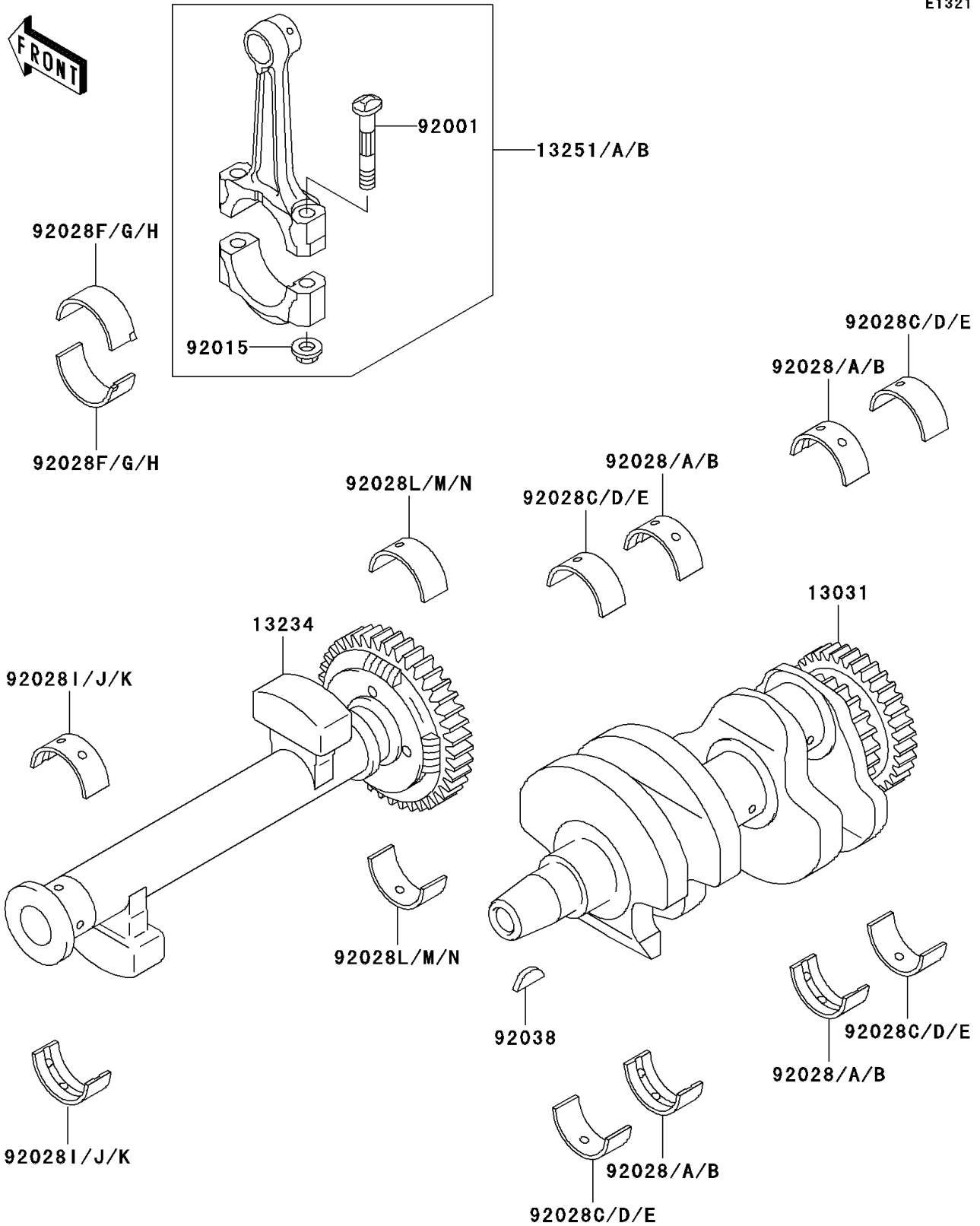


## 1999 NINJA® 500R PARTS DIAGRAM

Crankshaft

E1321



## 1999 NINJA® 500R PARTS LIST

### Crankshaft

ITEM NAME	PART NUMBER	QUANTITY
CRANKSHAFT-COMP (Ref # 13031)	13031-1303	1
SHAFT-COMP,BALANCER (Ref # 13234)	13234-1071	1
ROD-ASSY-CONNECTING,H (Ref # 13251)	13251-1067-HH	1
ROD-ASSY-CONNECTING,I (Ref # 13251A)	13251-1067-II	1
ROD-ASSY-CONNECTING,J (Ref # 13251B)	13251-1067-JJ	1
BOLT,CONNECTING ROD,8MM (Ref # 92001)	92001-1887	1
NUT,FLANGED,8MM (Ref # 92015)	92015-1311	1
BUSHING,CRANKSHAFT,BLUE (Ref # 92028)	92028-1100	1
BUSHING,CRANKSHAFT,BLACK (Ref # 92028A)	92028-1101	1
BUSHING,CRANKSHAFT,BROWN (Ref # 92028B)	92028-1102	1
BUSHING,CRANKSHAFT,BLUE (Ref # 92028C)	92028-1272	1
BUSHING,CRANKSHAFT,BLACK (Ref # 92028D)	92028-1273	1
BUSHING,CRANKSHAFT,BROWN (Ref # 92028E)	92028-1274	1
BUSHING,CONNECTING ROD,BLUE (Ref # 92028F)	92028-1348	1
BUSHING,CONNECTING ROD,BLACK (Ref # 92028G)	92028-1349	1
BUSHING,CONNECTING ROD,BROWN (Ref # 92028H)	92028-1350	1
BUSHING,BALANCER,LH,BLUE (Ref # 92028I)	92028-1495	1
BUSHING,BALANCER,LH,BLACK (Ref # 92028J)	92028-1496	1
BUSHING,BALANCER,LH,BROWN (Ref # 92028K)	92028-1497	1
BUSHING,BALANCER,RH,BLUE (Ref # 92028L)	92028-1690	1
BUSHING,BALANCER,RH,BLACK (Ref # 92028M)	92028-1691	1
BUSHING,BALANCER,RH,BROWN (Ref # 92028N)	92028-1692	1
KEY,WOODRUFF (Ref # 92038)	92038-001	1