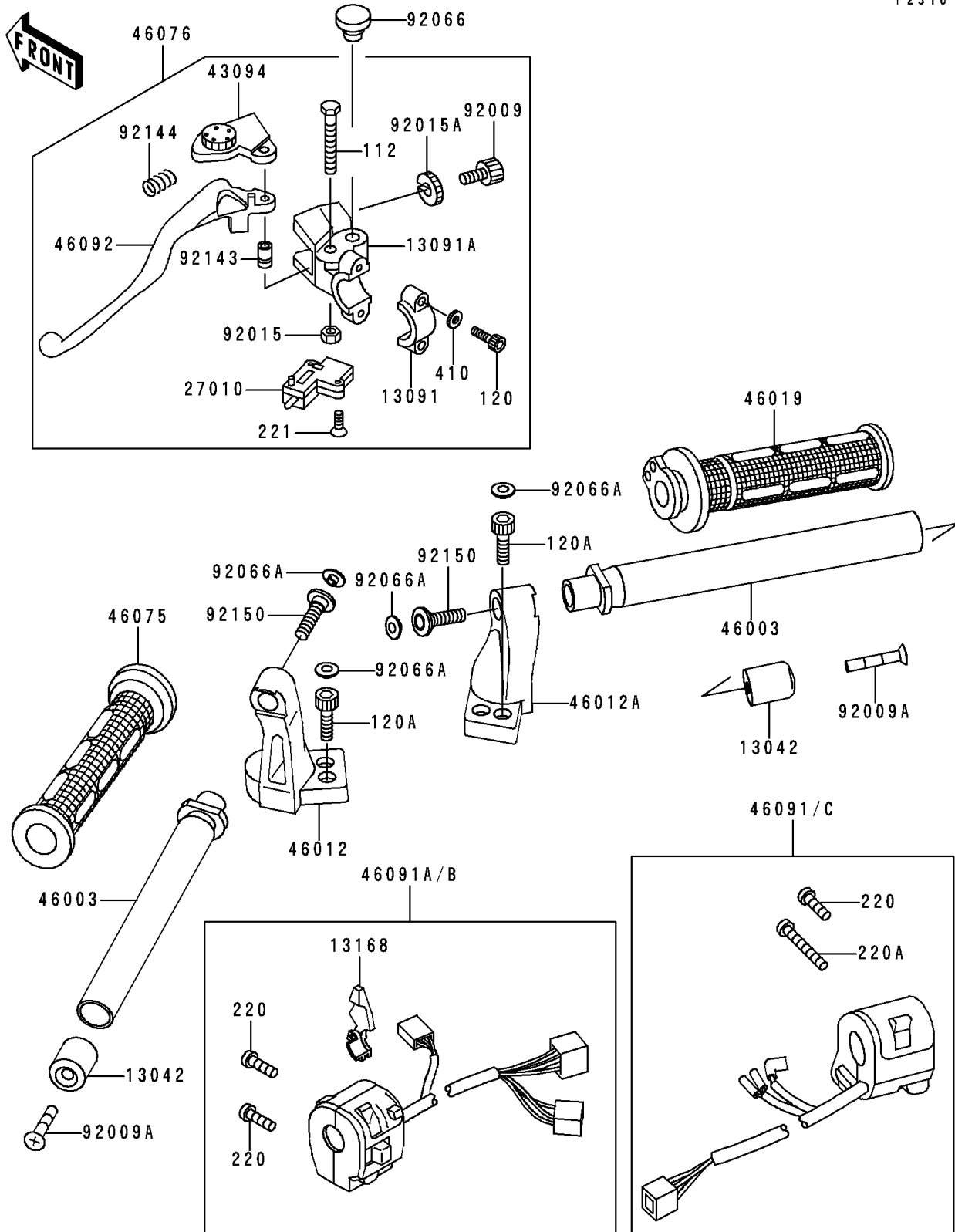


## 1994 NINJA® 500 PARTS DIAGRAM

Handlebar

F 2310



## 1994 NINJA® 500 PARTS LIST

Handlebar

| ITEM NAME                                    | PART NUMBER   | QUANTITY |
|--|---------------|----------|
| BOLT-UPSET (Ref # 112)                       | 112C0640      | 1        |
| BOLT-SOCKET,6X20 (Ref # 120)                 | 120S0620      | 1        |
| BOLT-SOCKET (Ref # 120A)                     | 120S0816      | 1        |
| SCREW-PAN-CROS (Ref # 220)                   | 220C0525      | 1        |
| SCREW-PAN-CROS (Ref # 220A)                  | 220C0540      | 1        |
| SCREW-CSK-CROS (Ref # 221)                   | 221C0316      | 1        |
| WASHER-PLAIN-SMALL,6MM,BLACK (Ref # 410)     | 410F0600      | 1        |
| WEIGHT,HANDLE (Ref # 13042)                  | 13042-1069    | 1        |
| HOLDER,CLUTCH LEVER (Ref # 13091)            | 13091-1624    | 1        |
| HOLDER,CLUTCH LEVER (Ref # 13091A)           | 13091-1652    | 1        |
| LEVER,CHOKE (Ref # 13168)                    | 13168-1516    | 1        |
| SWITCH,CLUTCH,BLACK (Ref # 27010)            | 27010-1094    | 1        |
| ADJUSTER,CLUTCH LEVER (Ref # 43094)          | 43094-1053    | 1        |
| HANDLE (Ref # 46003)                         | 46003-1390    | 1        |
| HOLDER-HANDLE,LH,BLACK (Ref # 46012)         | 46012-1248-10 | 1        |
| HOLDER-HANDLE,RH,BLACK (Ref # 46012A)        | 46012-1249-10 | 1        |
| GRIP-ASSY,THROTTLE (Ref # 46019)             | 46019-1077    | 1        |
| GRIP,LH (Ref # 46075)                        | 46075-1088    | 1        |
| LEVER-ASSY-GRIP,CLUTCH (Ref # 46076)         | 46076-1165    | 1        |
| HOUSING-ASSY-CONTROL,RH (Ref # 46091)        | 46091-1663    | 1        |
| HOUSING-ASSY-CONTROL,LH (Ref # 46091A)       | 46091-1665    | 1        |
| LEVER-GRIP,CLUTCH (Ref # 46092)              | 46092-1161    | 1        |
| SCREW,CABLE ADJUST,8MM,BLACK (Ref # 92009)   | 92009-1134    | 1        |
| SCREW,8X45 (Ref # 92009A)                    | 92009-1257    | 1        |
| NUT,LOCK,6MM,BLACK (Ref # 92015)             | 92015-1191    | 1        |
| NUT,CABLE ADJUST LOCK,8MM,BLK (Ref # 92015A) | 92015-1197    | 1        |
| PLUG,9.5X8,POLYETHYLENE (Ref # 92066)        | 92066-1077    | 1        |
| PLUG (Ref # 92066A)                          | 92066-1216    | 1        |
| COLLAR (Ref # 92143)                         | 92143-1379    | 1        |

## 1994 NINJA® 500 PARTS LIST

Handlebar

| ITEM NAME               | PART NUMBER | QUANTITY |
|-------------------------|-------------|----------|
| SPRING (Ref # 92144)    | 92144-1467  | 1        |
| BOLT,8X30 (Ref # 92150) | 92150-1425  | 1        |