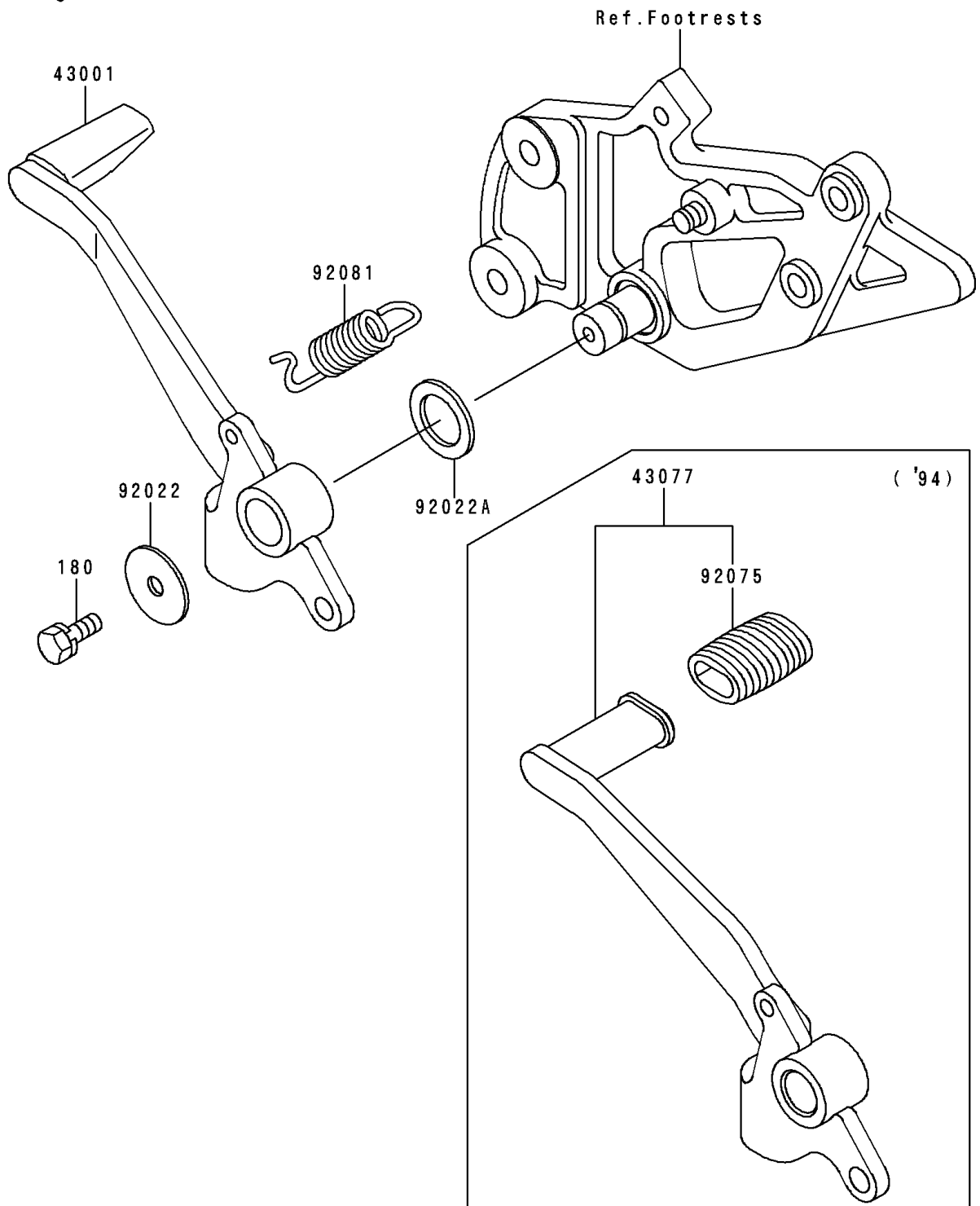


1994 NINJA® 500 PARTS DIAGRAM

Brake Pedal/Torque Link

F2260



1994 NINJA® 500 PARTS LIST

Brake Pedal/Torque Link

ITEM NAME	PART NUMBER	QUANTITY
BOLT-UPSET-WS (Ref # 180)	180D0616	1
LEVER-ASSY-BRAKE,PEDAL (Ref # 43077)	43077-1078	1
WASHER,7X28X1.6 (Ref # 92022)	92022-1282	1
WASHER,15.3X24X1 (Ref # 92022A)	92022-326	1
DAMPER,CHANGE PEDAL (Ref # 92075)	92075-1585	1
SPRING,BRAKE PEDAL (Ref # 92081)	92081-1833	1