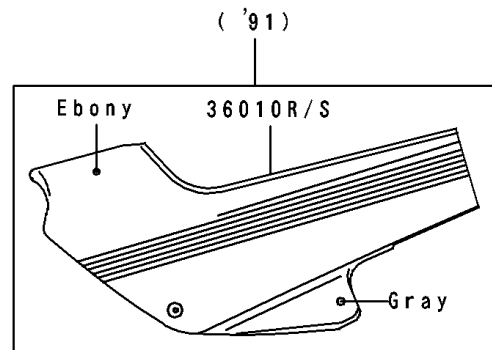
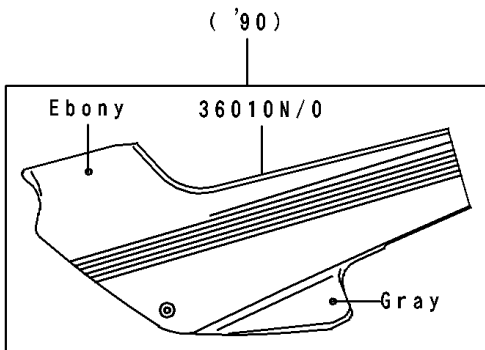
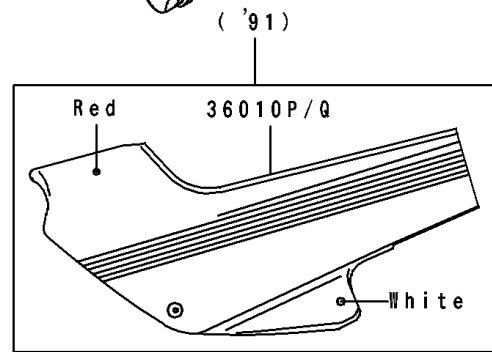
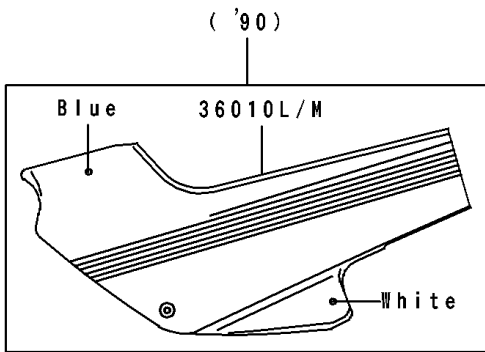
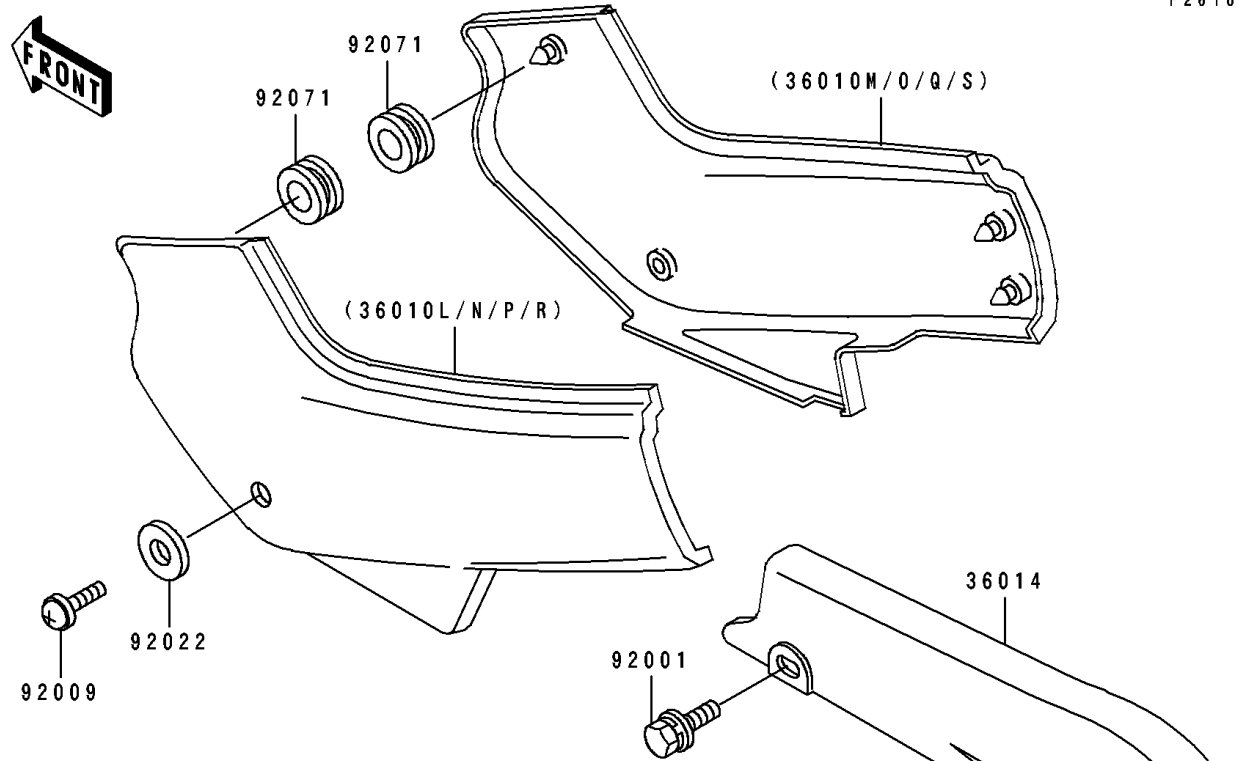


## 1990 EX500 PARTS DIAGRAM

Side Covers(EX500-A4/A5)

F 2610



## 1990 EX500 PARTS LIST

Side Covers(EX500-A4/A5)

ITEM NAME	PART NUMBER	QUANTITY
COVER-SIDE,LH,BLUE/WHITE (Ref # 36010L)	36010-5266-S3	1
COVER-SIDE,RH,BLUE/WHITE (Ref # 36010M)	36010-5267-S3	1
COVER-SIDE,LH,EBONY/GRAY (Ref # 36010N)	36010-5268-FG	1
COVER-SIDE,RH,EBONY/GRAY (Ref # 36010O)	36010-5269-FG	1
CASE-CHAIN (Ref # 36014)	36014-1144	1
BOLT,6X14,BLACK (Ref # 92001)	92001-1847	1
SCREW,6X14 (Ref # 92009)	92009-1288	1
WASHER,6.5X16X1.0 (Ref # 92022)	92022-1654	1
GROMMET (Ref # 92071)	92071-056	1