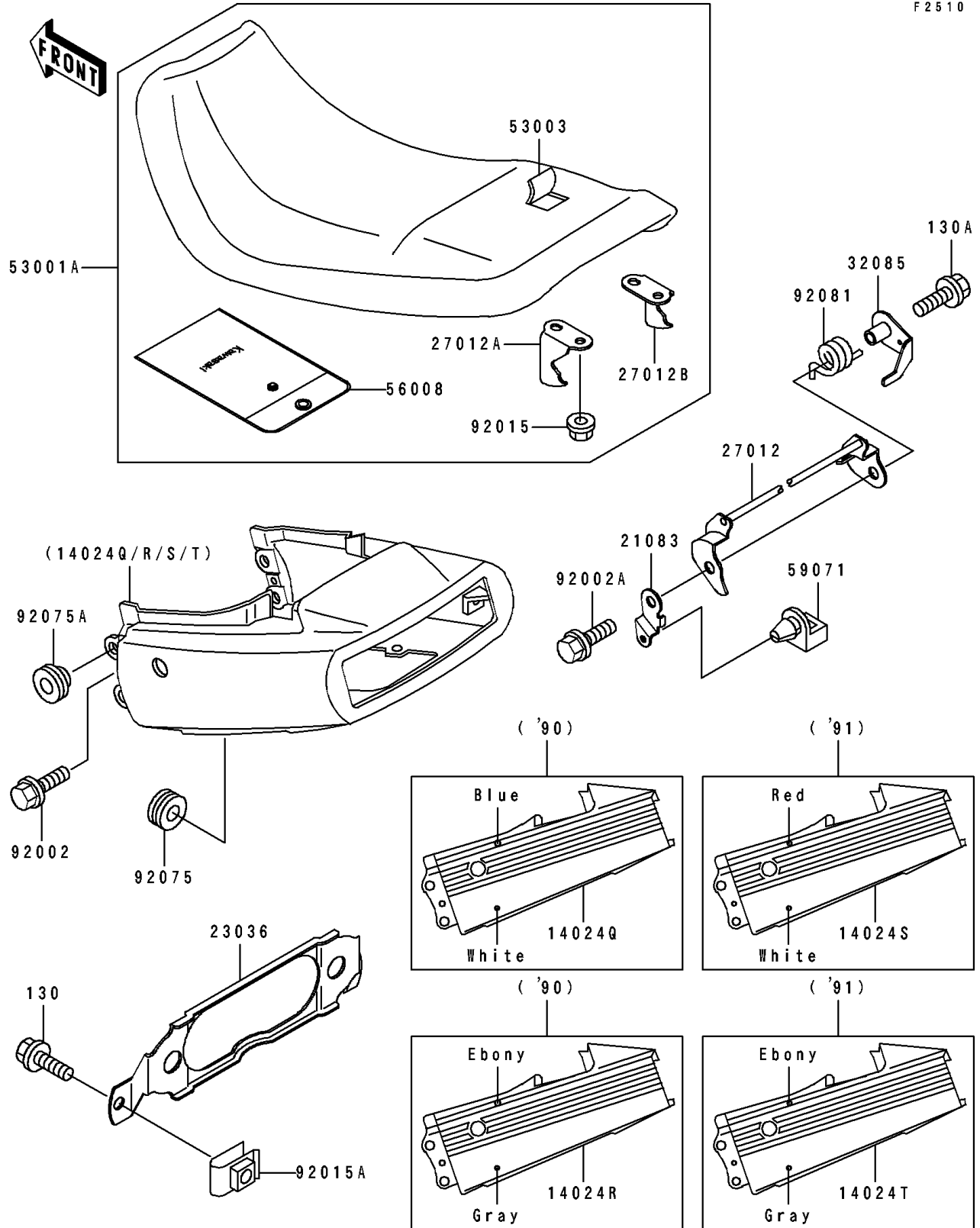


## 1990 EX500 PARTS DIAGRAM

Seat (EX500-A4/A5)

F2510



## 1990 EX500 PARTS LIST

Seat(EX500-A4/A5)

ITEM NAME	PART NUMBER	QUANTITY
COVER,SEAT,BLUE/WHITE (Ref # 14024Q)	14024-5165-S3	1
COVER,SEAT,EBONY/GRAY (Ref # 14024R)	14024-5166-FG	1
ARM,SEAT LOCK (Ref # 21083)	21083-1063	1
BRACKET-TAIL LAMP (Ref # 23036)	23036-1111	1
HOOK,SEAT LOCK (Ref # 27012)	27012-1363	1
HOOK,SEAT,LH (Ref # 27012A)	27012-1377	1
HOOK,SEAT,RH (Ref # 27012B)	27012-1378	1
STOPPER,SEAT LOCK SPRING (Ref # 32085)	32085-1270	1
SEAT-ASSY,DUAL,BLACK (Ref # 53001A)	53001-1519-MA	1
LEATHER,SEAT,BLACK (Ref # 53003)	53003-1179-MA	1
BAG,HAND BOOK (Ref # 56008)	56008-1066	1
JOINT (Ref # 59071)	59071-1103	1
BOLT,6X14 (Ref # 92002)	92002-1351	1
BOLT,6X12 (Ref # 92002A)	92002-1884	1
NUT,FLANGED,6MM (Ref # 92015)	92015-1078	1
NUT,6MM (Ref # 92015A)	92015-1671	1
DAMPER (Ref # 92075)	92075-1690	1
DAMPER,SIDE COVER (Ref # 92075A)	92075-1962	1
SPRING (Ref # 92081)	92081-1982	1
BOLT-FLANGED,6X14 (Ref # 130)	130D0614	1
BOLT-FLANGED,6X25 (Ref # 130A)	130J0625	1