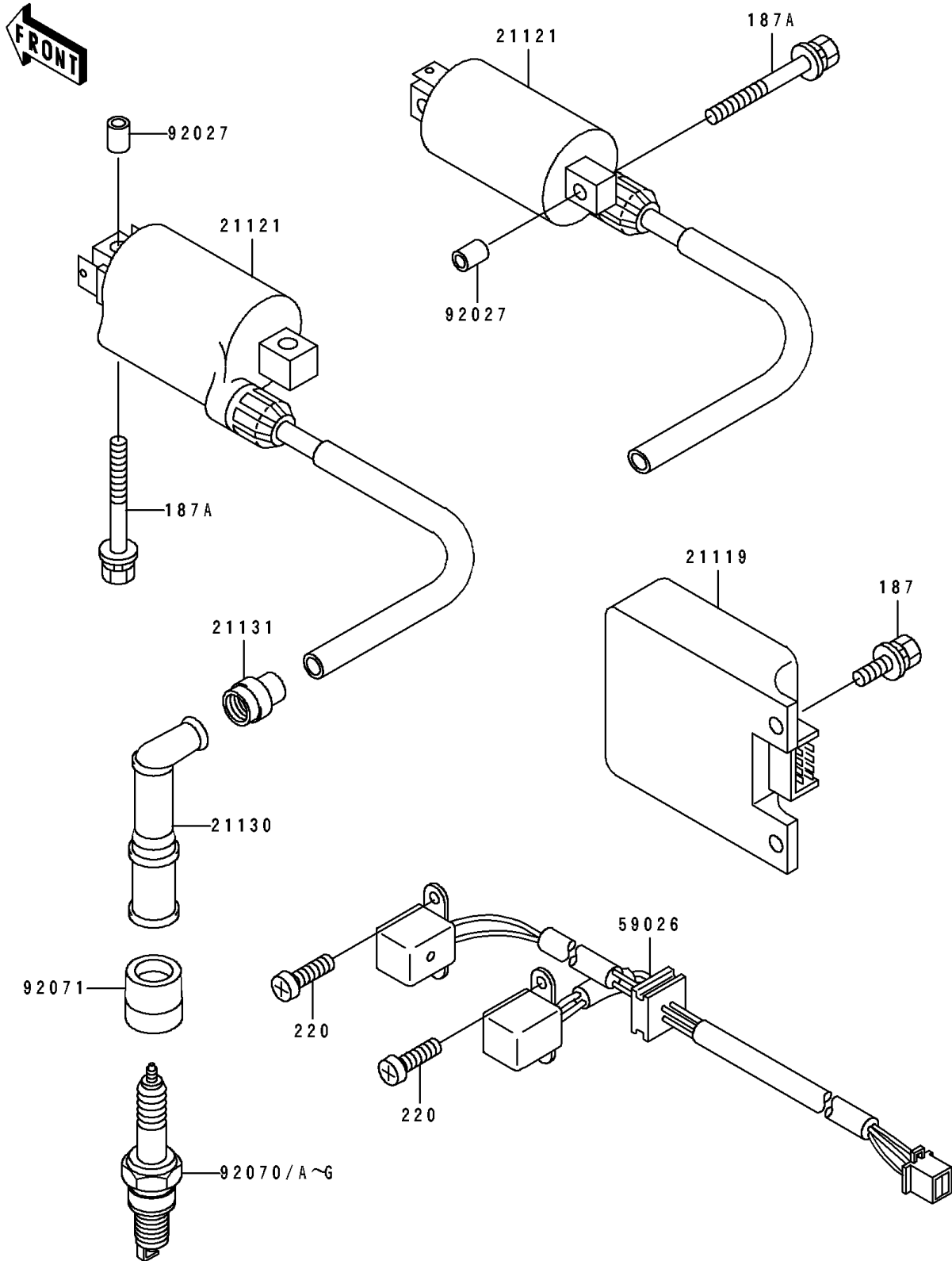


1990 EX500 PARTS DIAGRAM

Ignition System

E 1830



1990 EX500 PARTS LIST

Ignition System

ITEM NAME	PART NUMBER	QUANTITY
IGNITER (Ref # 21119)	21119-1219	1
COIL-IGNITION (Ref # 21121)	21121-1153	1
CAP-SPARK PLUG (Ref # 21130)	21130-1068	1
GROMMET,HIGH TENSION (Ref # 21131)	21131-005	1
COIL-PULSING (Ref # 59026)	59026-1066	1
COLLAR,6.8X10X6 (Ref # 92027)	92027-103	1
PLUG-SPARK,X24ESR-U(ND) (Ref # 92070)		4
PLUG-SPARK,D8EA(NGK) (Ref # 92070A)	92070-1011	1
PLUG-SPARK,DR8ES(NGK) (Ref # 92070B)	92070-1019	1
PLUG-SPARK,D9EA(NGK) (Ref # 92070D)	92070-1034	1
PLUG-SPARK,DR8ES-L(NGK) (Ref # 92070G)	92070-1116	1
GROMMET,PLUG CAP (Ref # 92071)	92071-1146	1
BOLT-UPSET-WSP (Ref # 187)	187B0618	1
BOLT-UPSET-WSP (Ref # 187A)	187G0625	1
SCREW-PAN-CROS (Ref # 220)	220B0510	1