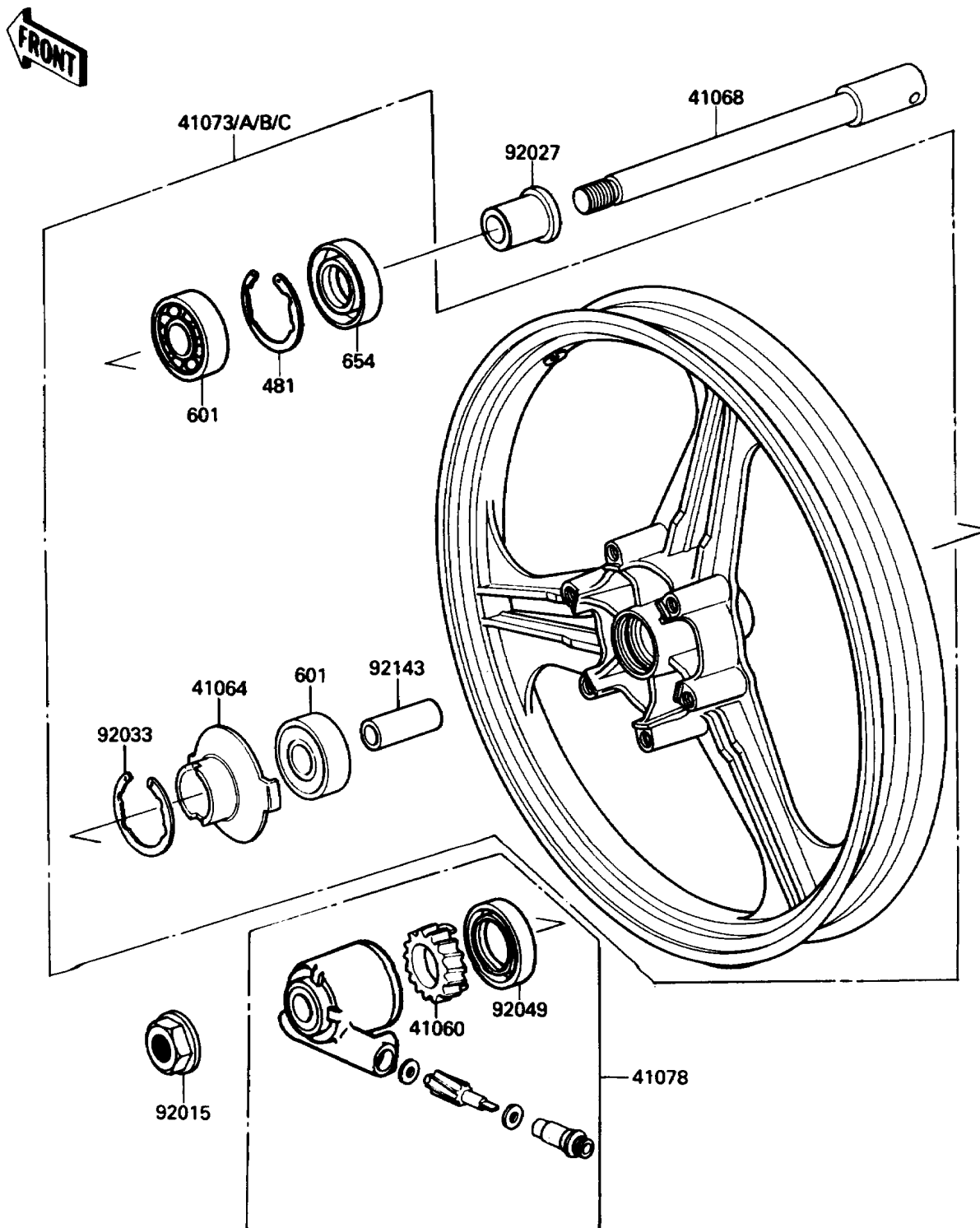


1987 EX500 PARTS DIAGRAM

Front Wheel

F2230-0152



1987 EX500 PARTS LIST

Front Wheel

ITEM NAME	PART NUMBER	QUANTITY
GEAR-METER SCREW,23T (Ref # 41060)	41060-1107	1
RECEIVER-SPEEDOMETER (Ref # 41064)	41064-1006	1
AXLE,FR (Ref # 41068)	41068-1238	1
WHEEL-ASSY,FR,SILVER NO.1 (Ref # 41073A)	41073-1329-V5	1
CASE-ASSY-METER GEAR (Ref # 41078)	41078-1055	1
NUT,14MM (Ref # 92015)	92015-1032	1
COLLAR,L=34 (Ref # 92027)	92027-1118	1
RING-SNAP,42MM (Ref # 92033)	92033-1041	1
SEAL-OIL,BJN30427-C3 (Ref # 92049)	92049-1057	1
COLLAR,15.2X22X60 (Ref # 92143)	92027-1980	1
CIRCLIP-TYPE-C,35MM (Ref # 481)	481J3500	1
BEARING-BALL (Ref # 601)	601B6202UU	1
OIL SEAL,22X35X8 (Ref # 654)	654A223508	1