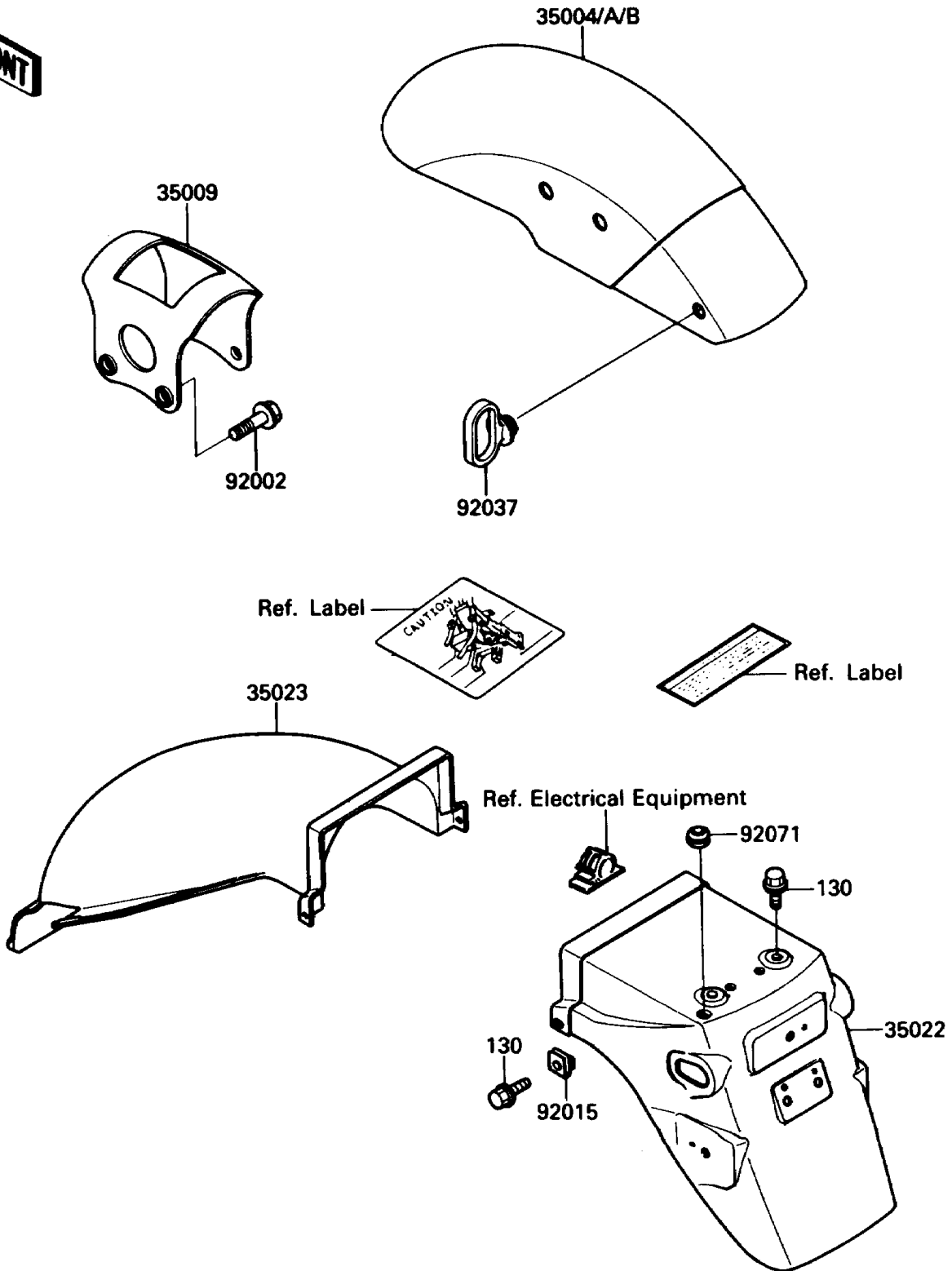


1987 EX500 PARTS DIAGRAM

Fenders

F2170-0341



1987 EX500 PARTS LIST

Fenders

ITEM NAME	PART NUMBER	QUANTITY
FENDER-FRONT,BLACK/RED (Ref # 35004)	35004-1188-M1	1
FENDER-FRONT,F.BLACK/EBONY (Ref # 35004A)	35004-1188-P3	1
FENDER-FRONT,WHITE/BLACK (Ref # 35004B)	35004-1188-W6	1
BRACE,FRONT FENDER (Ref # 35009)	35009-1070	1
FENDER-COMP-REAR,RR,BLACK (Ref # 35022)	35022-1229-6Z	1
FENDER-REAR,FR (Ref # 35023)	35023-1183	1
BOLT,FLANGED,8X16 (Ref # 92002)	92002-1200	1
NUT,CLAMP,6MM (Ref # 92015)	92015-1678	1
CLAMP,CABLE (Ref # 92037)	92037-1459	1
GROMMET,10MM (Ref # 92071)	92071-019	1
BOLT-FLANGED,6X16 (Ref # 130)	130B0616	1