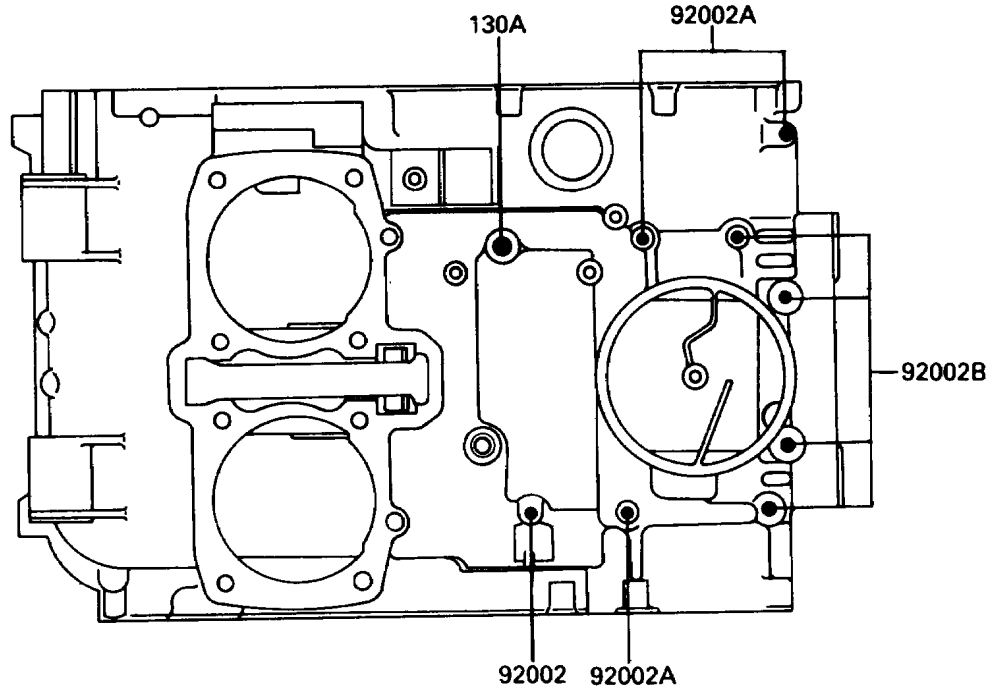


1987 EX500 PARTS DIAGRAM

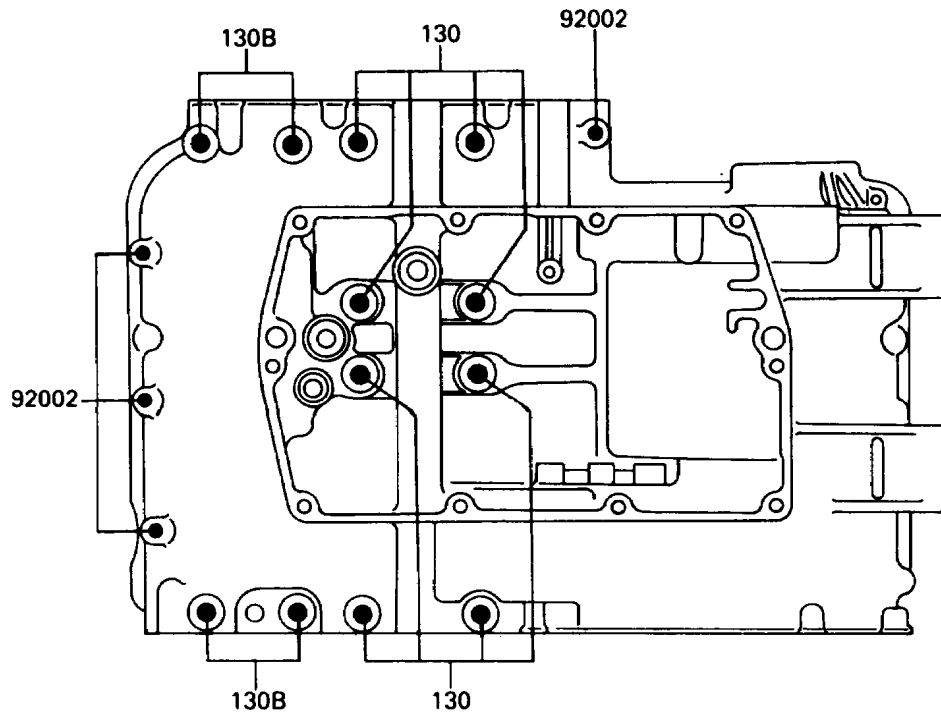
Crankcase Bolt Pattern

E1412-0135

Upper Case



Lower Case



1987 EX500 PARTS LIST

Crankcase Bolt Pattern

ITEM NAME	PART NUMBER	QUANTITY
BOLT,6X40 (Ref # 92002)	92002-1566	1
BOLT,6X60 (Ref # 92002A)	92002-1567	1
BOLT,6X80 (Ref # 92002B)	92002-1568	1
BOLT-FLANGED (Ref # 130)	130Z08100	1
BOLT-FLANGED (Ref # 130A)	130Z0855	1
BOLT-FLANGED (Ref # 130B)	130Z0875	1