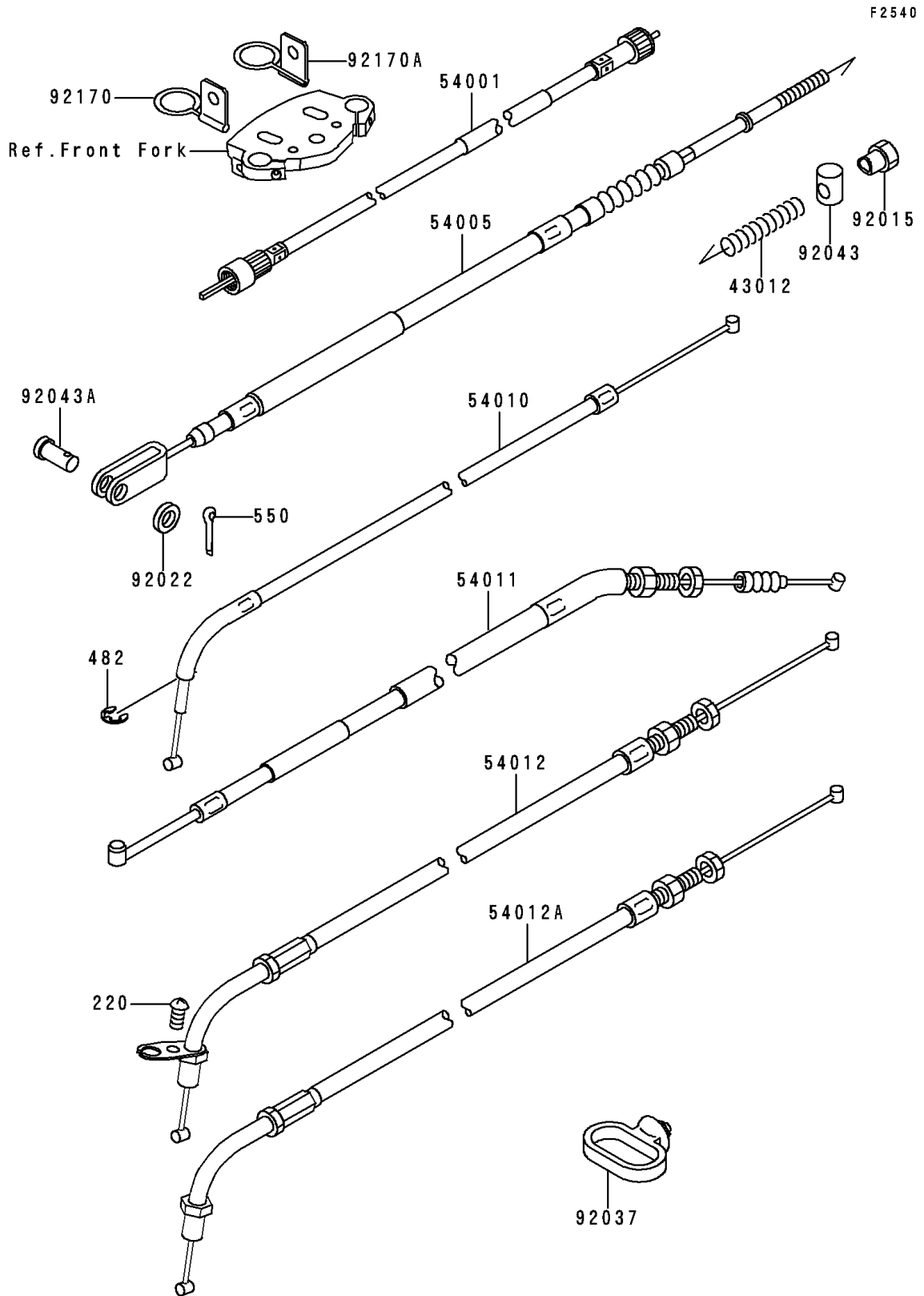


1990 Vulcan® 500 PARTS DIAGRAM

Cables



1990 Vulcan® 500 PARTS LIST

Cables

ITEM NAME	PART NUMBER	QUANTITY
SCREW-PAN-CROS (Ref # 220)	220C0514	1
CIRCLIP-TYPE-E,5MM (Ref # 482)	482L5000	1
PIN-COTTER,2.0X15 (Ref # 550)	550D2015	1
SPRING,BRAKE ROD (Ref # 43012)	43012-001	1
CABLE-SPEEDOMETER (Ref # 54001)	54001-1113	1
CABLE-BRAKE (Ref # 54005)	54005-1165	1
CABLE,SEAT LOCK (Ref # 54010)	54010-1080	1
CABLE-CLUTCH (Ref # 54011)	54011-1298	1
CABLE-THROTTLE,CLOSING (Ref # 54012)	54012-1265	1
CABLE-THROTTLE,OPENING (Ref # 54012A)	54012-1390	1
NUT,BRAKE ROD (Ref # 92015)	92015-042	1
WASHER,8.5X16X1.2 (Ref # 92022)	92022-1582	1
CLAMP,CABLE (Ref # 92037)	92037-1459	1
PIN,BRAKE ROD (Ref # 92043)	92043-065	1
PIN,8X16 (Ref # 92043A)	92043-1013	1
CLAMP,CABLE,LH (Ref # 92170)	92170-1162	1
CLAMP,CABLE,RH (Ref # 92170A)	92170-1163	1