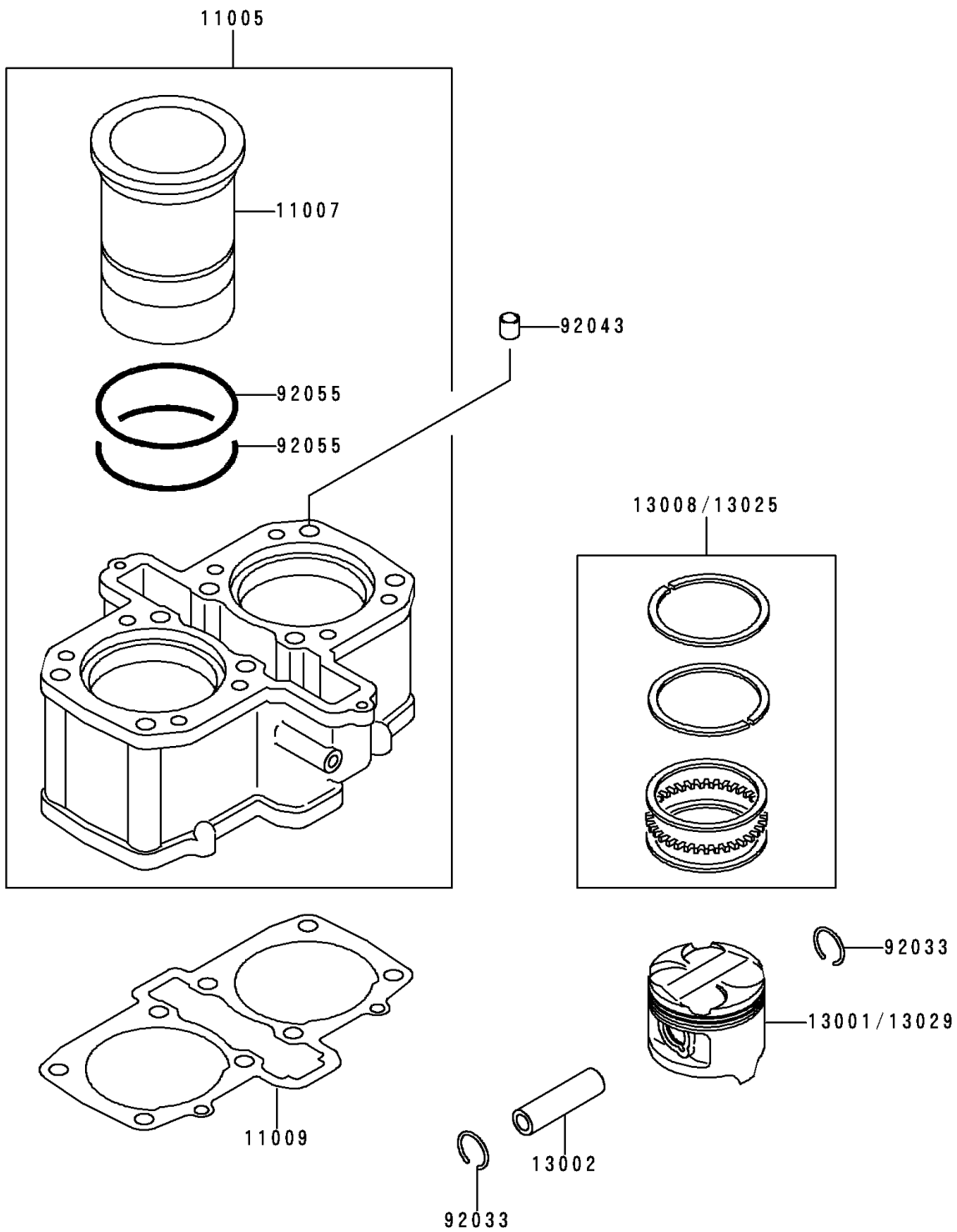


1990 Vulcan® 500 PARTS DIAGRAM

Cylinder/Piston

E1120



1990 Vulcan® 500 PARTS LIST

Cylinder/Piston

ITEM NAME	PART NUMBER	QUANTITY
CYLINDER-ENGINE (Ref # 11005)	11005-1626	1
LINER-CYLINDER (Ref # 11007)	11007-1096	1
GASKET,CYLINDER BASE (Ref # 11009)	11009-1640	1
PISTON-ENGINE,STD (Ref # 13001)	13001-1251	1
PIN-PISTON (Ref # 13002)	13002-1058	1
RING-SET-PISTON,STD (Ref # 13008)	13008-1084	1
RING-SET-PISTON L,O/S 0.50 (Ref # 13025)	13025-1084	1
PISTON-ENGINE L,O/S 0.50 (Ref # 13029)	13029-1160	1
RING-SNAP,20.5X1.2 (Ref # 92033)	92033-1099	1
PIN,11.5X14X14 (Ref # 92043)	92043-1279	1
RING-O (Ref # 92055)	92055-1247	1