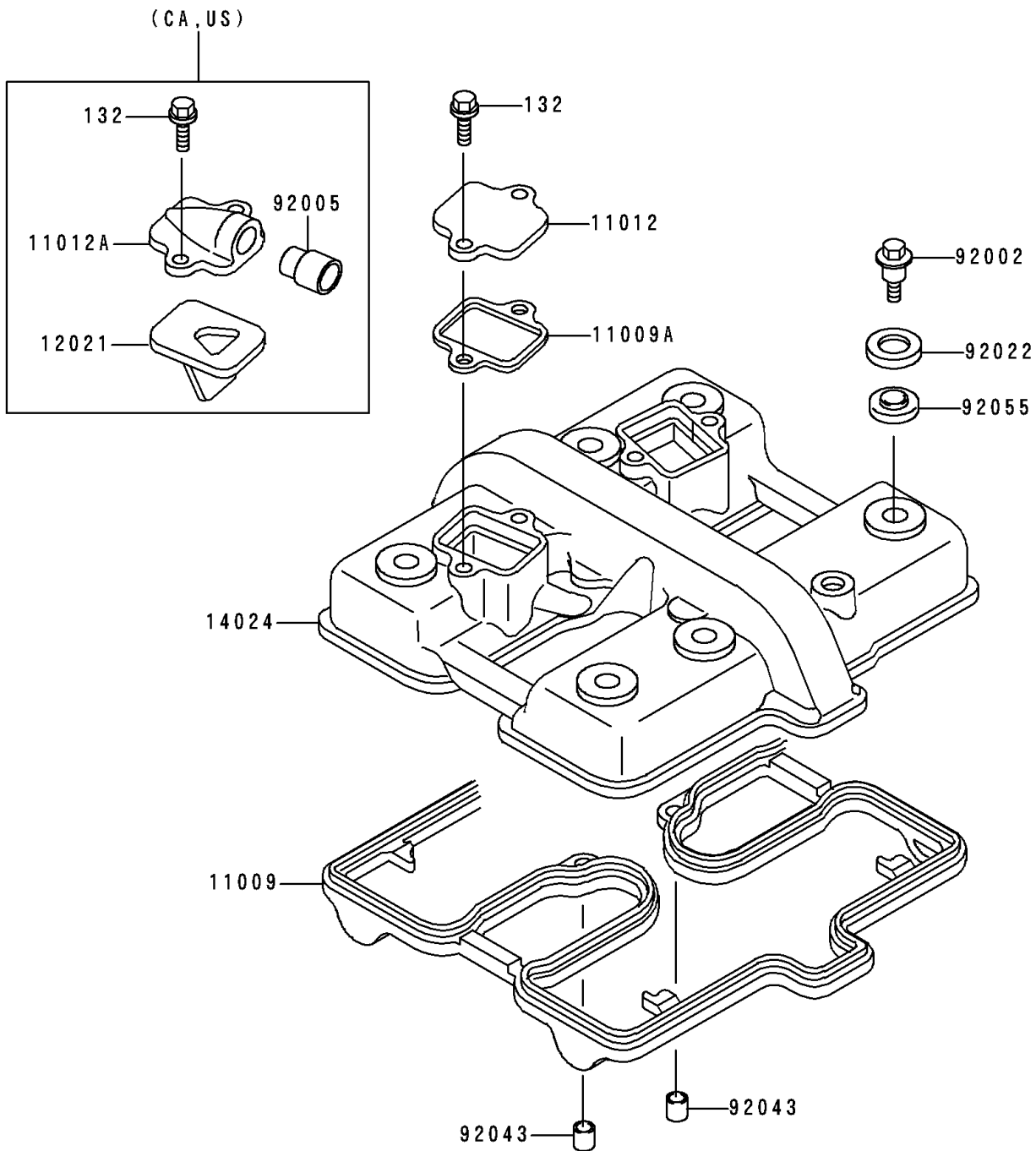


1990 Vulcan® 500 PARTS DIAGRAM

Cylinder Head Cover

E1112



1990 Vulcan® 500 PARTS LIST

Cylinder Head Cover

ITEM NAME	PART NUMBER	QUANTITY
BOLT-FLANGED-SMALL (Ref # 132)	132E0616	1
GASKET,CYLINDER HEAD COVER (Ref # 11009)	11009-1483	1
CAP,REED VALVE (Ref # 11012A)	11012-1435	1
VALVE-ASSY-REED (Ref # 12021)	12021-1026	1
COVER,HEAD (Ref # 14024)	14024-1862	1
BOLT,HEAD COVER (Ref # 92002)	92002-1595	1
FITTING,REED VALVE (Ref # 92005)	92005-1006	1
WASHER,HEAD COVER BOLT (Ref # 92022)	92022-1637	1
PIN,DOWEL,8X10 (Ref # 92043)	92043-1302	1
RING-O,HEAD COVER BOLT (Ref # 92055)	92055-1225	1