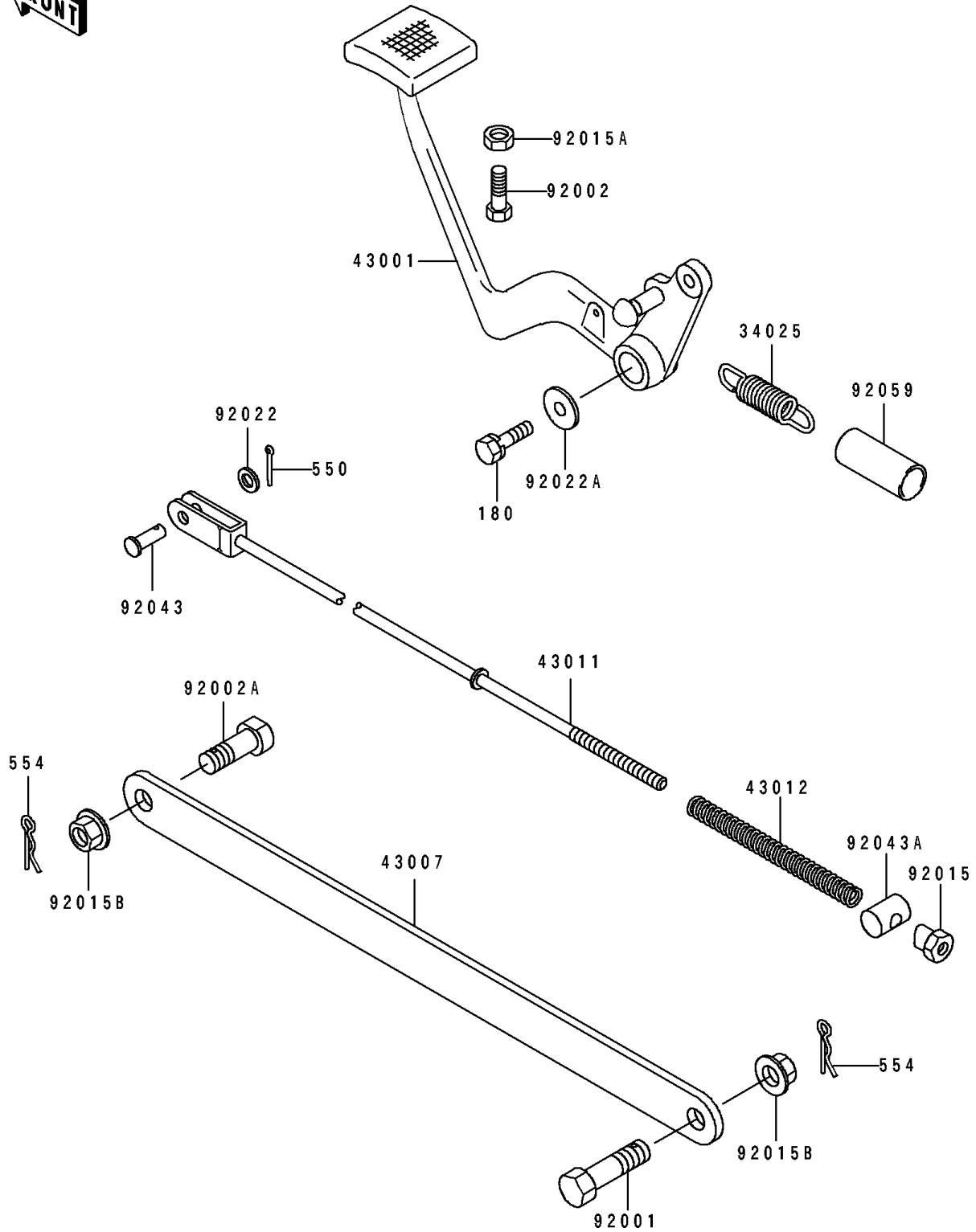


## 1991 250 HS PARTS DIAGRAM

Brake Pedal/Torque Link

F2260



## 1991 250 HS PARTS LIST

Brake Pedal/Torque Link

| ITEM NAME                         | PART NUMBER | QUANTITY |
|-----------------------------------|-------------|----------|
| SPRING,SIDE STAND (Ref # 34025)   | 34025-009   | 1        |
| LEVER-BRAKE,PEDAL (Ref # 43001)   | 43001-1234  | 1        |
| ROD-TORQUE,RR (Ref # 43007)       | 43007-1026  | 1        |
| ROD-BRAKE (Ref # 43011)           | 43011-1141  | 1        |
| SPRING,BRAKE ROD (Ref # 43012)    | 43012-001   | 1        |
| BOLT,10X37 (Ref # 92001)          | 92001-1519  | 1        |
| BOLT,6X20 (Ref # 92002)           | 92002-1373  | 1        |
| BOLT,ROD,10X27 (Ref # 92002A)     | 92002-1992  | 1        |
| NUT,BRAKE ROD (Ref # 92015)       | 92015-042   | 1        |
| NUT,6MM (Ref # 92015A)            | 92015-1391  | 1        |
| NUT,FLANGED,10MM (Ref # 92015B)   | 92015-1428  | 1        |
| WASHER,6.5X11.5X0.8 (Ref # 92022) | 92022-1556  | 1        |
| WASHER,6.5X20X1.6 (Ref # 92022A)  | 92022-1557  | 1        |
| PIN,6X17 (Ref # 92043)            | 92043-064   | 1        |
| PIN,BRAKE ROD (Ref # 92043A)      | 92043-065   | 1        |
| TUBE,14X17X40 (Ref # 92059)       | 92059-1983  | 1        |
| BOLT-UPSET-WS (Ref # 180)         | 180D0616    | 1        |
| PIN-COTTER,2.0X15 (Ref # 550)     | 550D2015    | 1        |
| PIN-SNAP,8MM (Ref # 554)          | 554A0800    | 1        |