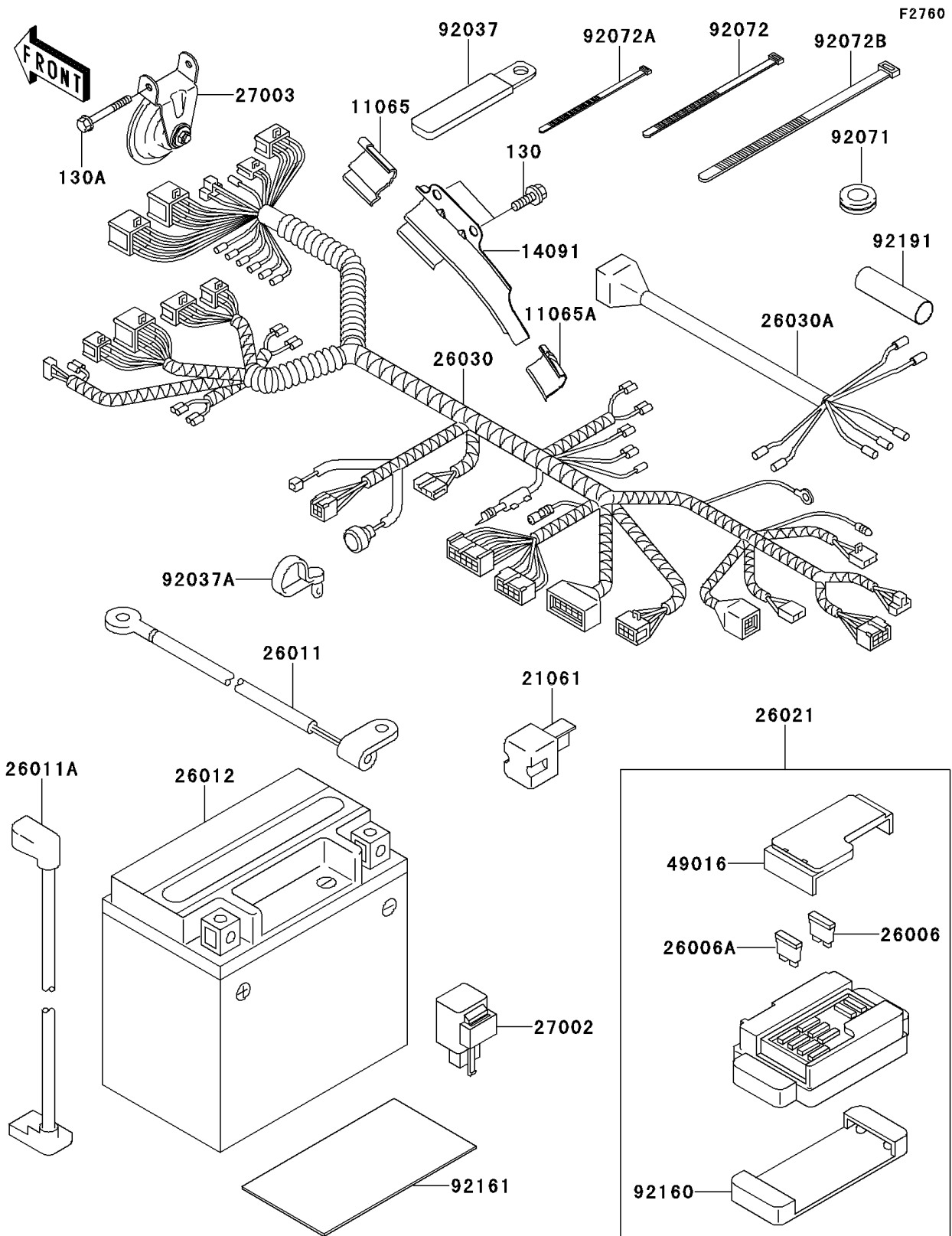


## 2000 W650 PARTS DIAGRAM

Chassis Electrical Equipment



## 2000 W650 PARTS LIST

Chassis Electrical Equipment

ITEM NAME	PART NUMBER	QUANTITY
BOLT-FLANGED,6X8 (Ref # 130)	130J0608	1
BOLT-FLANGED,6X60 (Ref # 130A)	130J0660	1
CAP,HARNESS COVER,FR (Ref # 11065)	11065-1141	1
CAP,HARNESS COVER,RR (Ref # 11065A)	11065-1142	1
COVER,HARNESS (Ref # 14091)	14091-1274	1
RECTIFIER (Ref # 21061)	21061-1003	1
FUSE,30A-G (Ref # 26006)	26006-1067	1
FUSE,10A-R (Ref # 26006A)	26006-1068	1
WIRE-LEAD,BATTERY(-) (Ref # 26011)	26011-1711	1
WIRE-LEAD,BATTERY(+) (Ref # 26011A)	26011-1746	1
BATTERY,YTX14-BS,12V 12AH (Ref # 26012)	26012-1334	1
JUNCTION BOX (Ref # 26021)	26021-1096	1
HARNESS,MAIN (Ref # 26030)	26030-1648	1
HARNESS,RR (Ref # 26030A)	26030-1656	1
RELAY-ASSY,TURN SIGNAL (Ref # 27002)	27002-1101	1
HORN (Ref # 27003)	27003-1416	1
COVER-SEAL,FUSE (Ref # 49016)	49016-1177	1
CLAMP (Ref # 92037)	92037-1679	1
CLAMP,SPEED,L=80.5 (Ref # 92037A)	92037-1903	1
GROMMET,13MM (Ref # 92071)	92071-099	1
BAND,L=250 (Ref # 92072)	92072-1237	1
BAND,L=140 (Ref # 92072A)	92072-1293	1
BAND,L=350 (Ref # 92072B)	92072-1372	1
DAMPER,JUNCTION BOX (Ref # 92160)	92160-1650	1
DAMPER,BATTERY (Ref # 92161)	92161-1085	1
TUBE,25X26.6X90 (Ref # 92191)	92191-1419	1