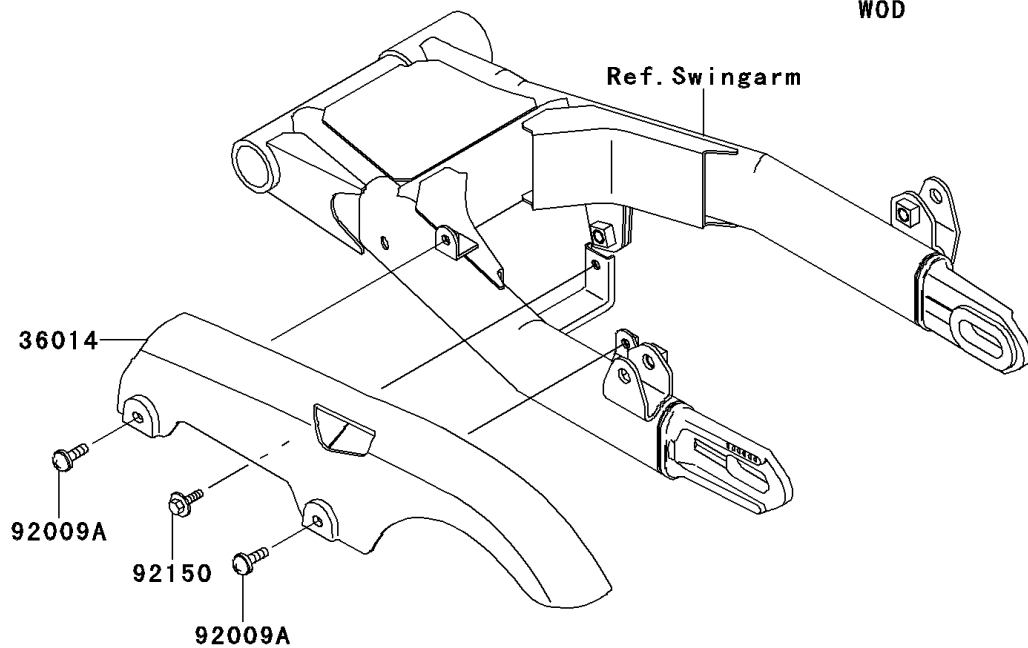
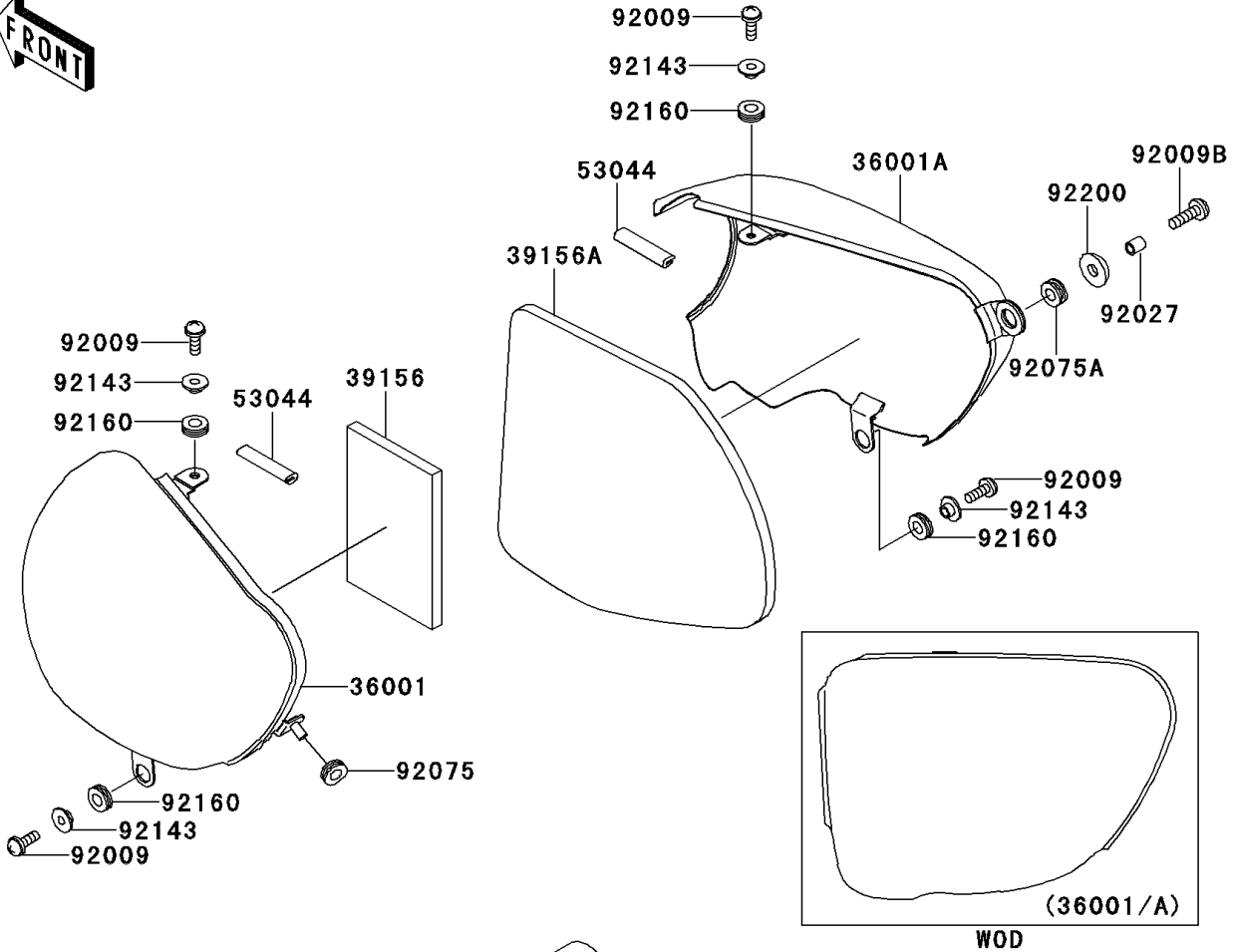


2000 W650 PARTS DIAGRAM

Side Covers/Chain Cover

F2610



2000 W650 PARTS LIST

Side Covers/Chain Cover

ITEM NAME	PART NUMBER	QUANTITY
COVER-SIDE,LH,EBONY (Ref # 36001)	36001-1632-H8	1
COVER-SIDE,RH,EBONY (Ref # 36001A)	36001-1636-H8	1
CASE-CHAIN (Ref # 36014)	36014-1234	1
PAD,SIDE COVER,LH (Ref # 39156)	39156-1635	1
PAD,SIDE COVER,RH (Ref # 39156A)	39156-1636	1
TRIM,L=40 (Ref # 53044)	53044-1320	1
SCREW,6X16 (Ref # 92009)	92009-1621	1
SCREW,6X12 (Ref # 92009A)	92009-1877	1
SCREW,6X20 (Ref # 92009B)	92009-3763	1
COLLAR,6.8X10X12 (Ref # 92027)	92027-162	1
DAMPER (Ref # 92075)	92075-1629	1
DAMPER (Ref # 92075A)	92075-1634	1
COLLAR,L=7.4 (Ref # 92143)	92143-1019	1
BOLT,6X14 (Ref # 92150)	92150-1133	1
DAMPER (Ref # 92160)	92160-1278	1
WASHER (Ref # 92200)	92200-1153	1