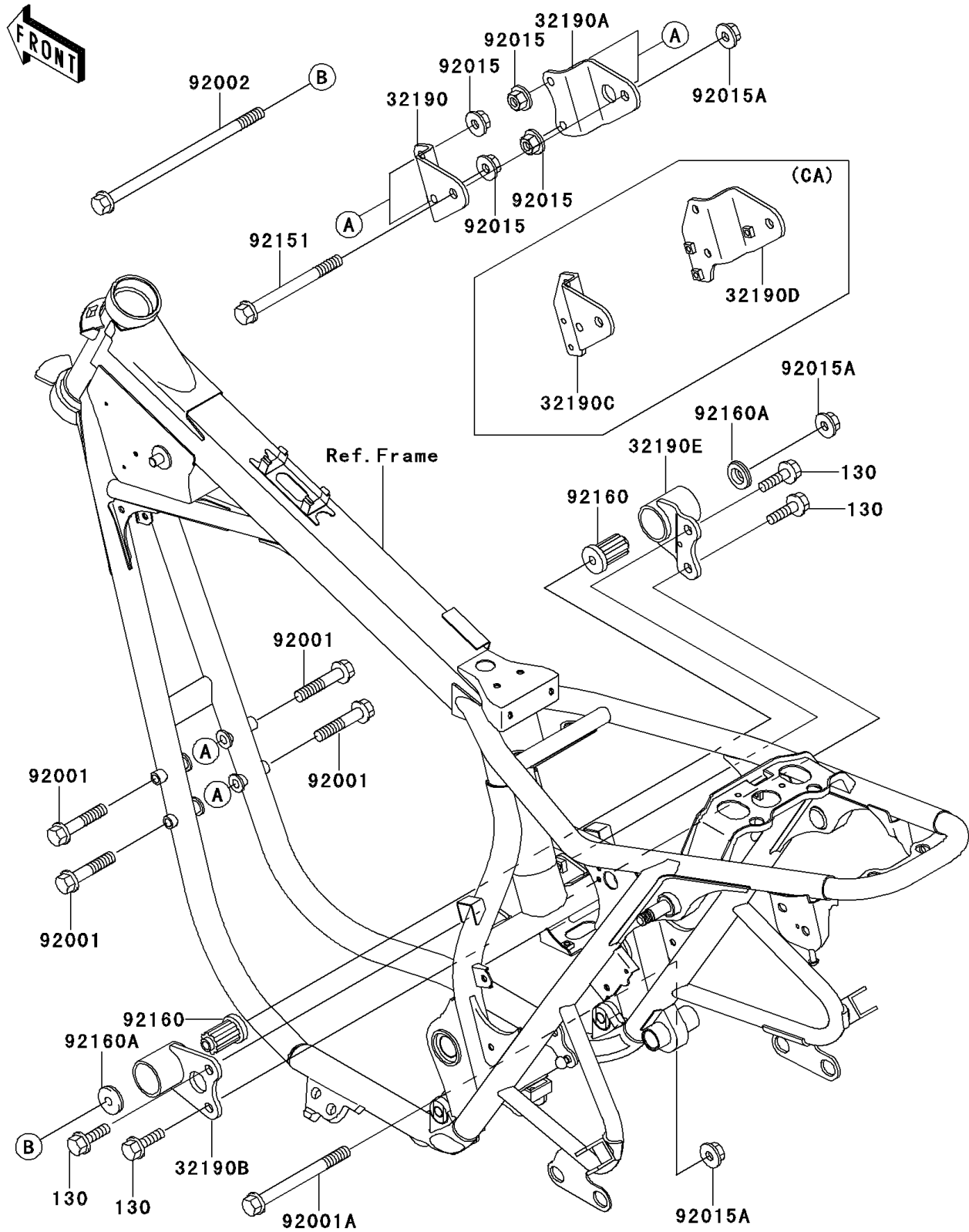


2000 W650 PARTS DIAGRAM

Engine Mount

F2132



2000 W650 PARTS LIST

Engine Mount

ITEM NAME	PART NUMBER	QUANTITY
BOLT-FLANGED,8X16,BLACK (Ref # 130)	130J0816	1
BRACKET-ENGINE,RR,UPP,LH (Ref # 32190B)	32190-1173	1
BRACKET-ENGINE,RR,UPP,RH (Ref # 32190E)	32190-1226	1
BOLT,FLANGED,8X60,BLACK (Ref # 92001)	92001-1615	1
BOLT,FLANGED,10X160,BLACK (Ref # 92001A)	92001-1953	1
BOLT,FLANGED,10X230 (Ref # 92002)	92002-1531	1
NUT,FLANGED,8MM,BLACK (Ref # 92015)	92015-1183	1
NUT,LOCK,10MM (Ref # 92015A)	92015-1522	1
BOLT,FLANGED,10X135 (Ref # 92151)	92151-1783	1
DAMPER,ENGINE MOUNT (Ref # 92160)	92160-1483	1
DAMPER (Ref # 92160A)	92160-1984	1
BRACKET-ENGINE,FR,LH (Ref # 32190)	32190-1171	1
BRACKET-ENGINE,FR,RH (Ref # 32190A)	32190-1172	1
BRACKET-ENGINE,FR,LH (Ref # 32190C)	32190-1195	1
BRACKET-ENGINE,FR,RH (Ref # 32190D)	32190-1196	1