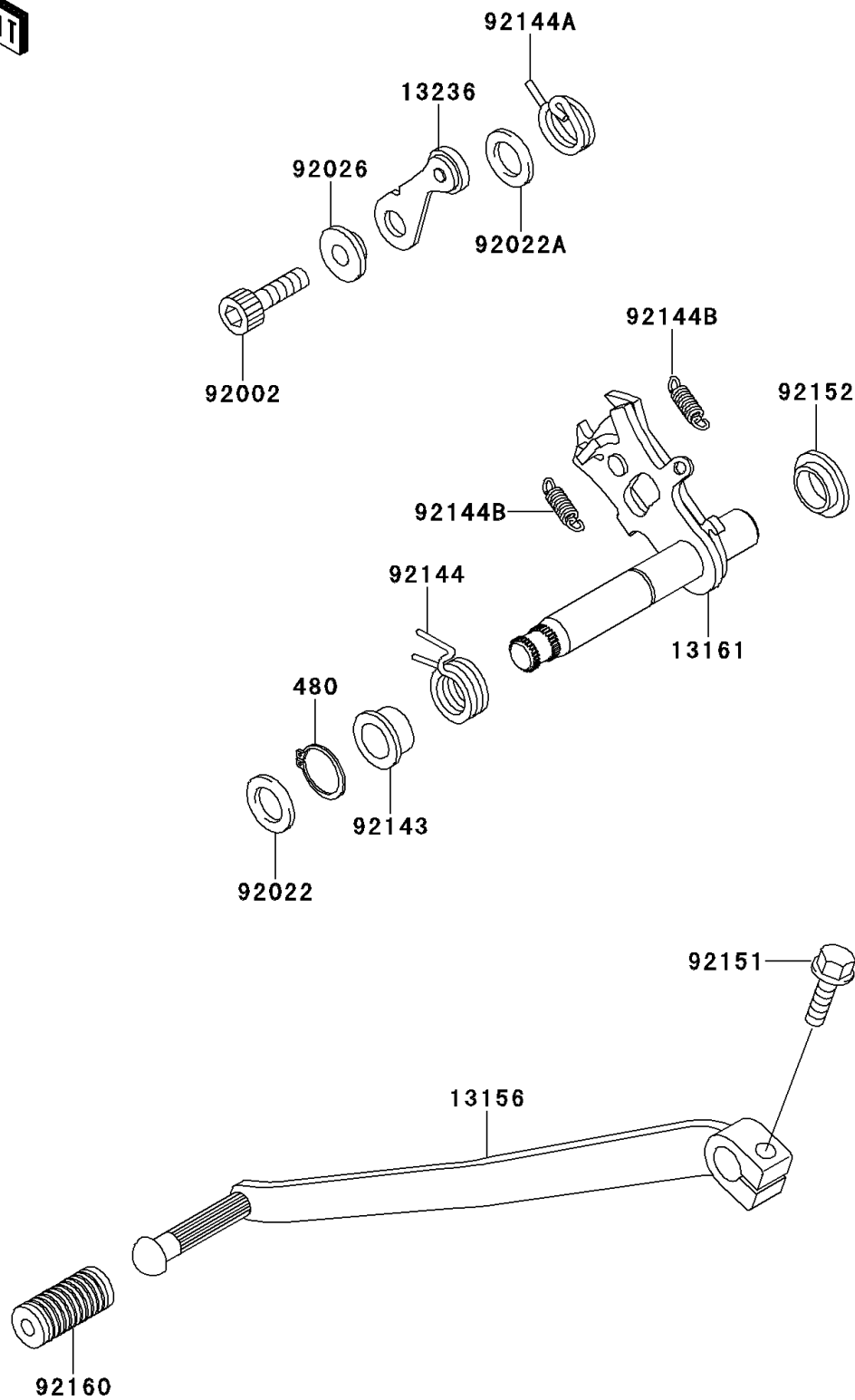


2000 W650 PARTS DIAGRAM

Gear Change Mechanism

E1370



2000 W650 PARTS LIST

Gear Change Mechanism

ITEM NAME	PART NUMBER	QUANTITY
CIRCLIP-TYPE-C,13MM (Ref # 480)	480J1300	1
LEVER-CHANGE,PEDAL (Ref # 13156)	13156-1482	1
LEVER-COMP-CHANGE SHAFT (Ref # 13161)	13161-1257	1
LEVER-COMP,POSITION (Ref # 13236)	13236-1253	1
BOLT,SOCKET,6X16 (Ref # 92002)	92002-1778	1
WASHER,13.3X20X1 (Ref # 92022)	92022-1496	1
WASHER,6X12.8X1.2 (Ref # 92022A)	92022-1827	1
SPACER (Ref # 92026)	92026-1217	1
COLLAR,RETURN SPRING (Ref # 92143)	92143-1498	1
SPRING,CHANGE SHAFT RETURN (Ref # 92144)	92144-1628	1
SPRING,LEVER POSITION (Ref # 92144A)	92144-1873	1
SPRING,CHANGE LEVER (Ref # 92144B)	92144-1975	1
BOLT,6X20 (Ref # 92151)	92151-1226	1
COLLAR (Ref # 92152)	92152-1075	1
DAMPER,CHANGE PEDAL (Ref # 92160)	92160-1036	1