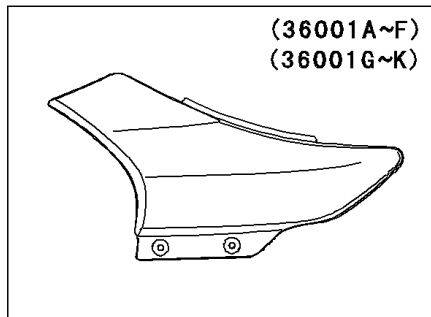
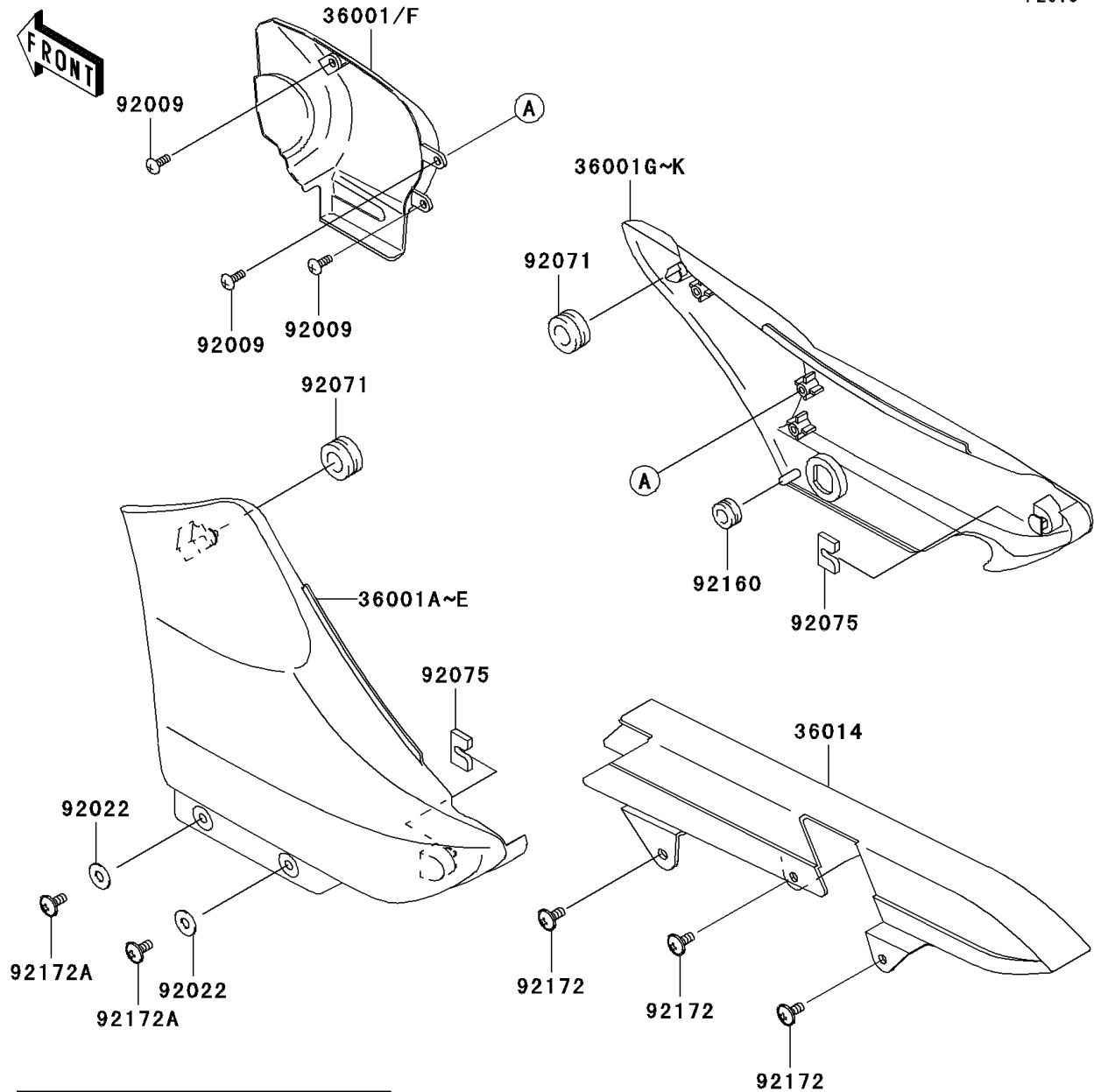


2001 Eliminator® 125 PARTS DIAGRAM

Side Covers/Chain Cover

F2610



WOD

(36001A/G)	C. P. Red
(36001B/H)	Ebony
(36001C/I)	C. T. Red
(36001D/J)	M. C. Black
(36001E/K)	M. P. Silver

2001 Eliminator® 125 PARTS LIST

Side Covers/Chain Cover

ITEM NAME	PART NUMBER	QUANTITY
COVER-SIDE,RH,FR (Ref # 36001)	36001-1607	1
COVER-SIDE,LH,EBONY (Ref # 36001B)	36001-1610-IG	1
COVER-SIDE,LH,C.T.RED (Ref # 36001C)	36001-1610-I7	1
COVER-SIDE,RH,RR,EBONY (Ref # 36001H)	36001-1663-IG	1
COVER-SIDE,RH,RR,C.T.RED (Ref # 36001I)	36001-1663-I7	1
CASE-CHAIN (Ref # 36014)	36014-1228	1
SCREW,TAPPING,5X14 (Ref # 92009)	92009-1197	1
WASHER,6.5X16X1.0 (Ref # 92022)	92022-1654	1
GROMMET (Ref # 92071)	92071-1043	1
DAMPER (Ref # 92075)	92075-1967	1
DAMPER (Ref # 92160)	92160-1891	1
SCREW,6X14 (Ref # 92172)	92172-0004	1
SCREW,6X14 (Ref # 92172A)	92172-1069	1