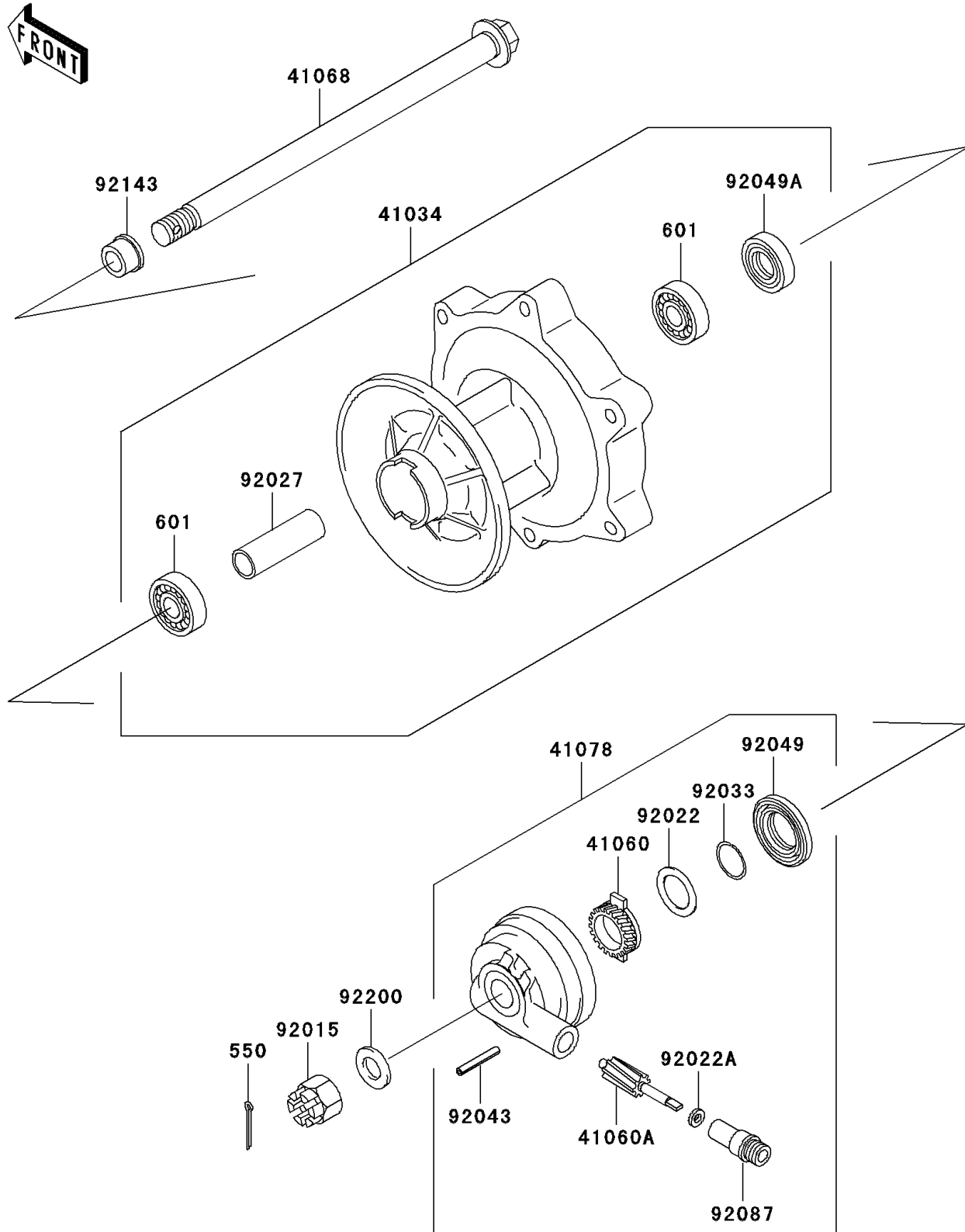


## 2001 Eliminator® 125 PARTS DIAGRAM

Front Wheel

F2230



## 2001 Eliminator® 125 PARTS LIST

Front Wheel

ITEM NAME	PART NUMBER	QUANTITY
PIN-COTTER,3X25 (Ref # 550)	550S3025	1
BEARING-BALL,#6202G (Ref # 601)	601B6202G	1
DRUM-ASSY,FRONT BRAKE (Ref # 41034)	41034-1312	1
GEAR-METER SCREW,20T (Ref # 41060)	41060-1133	1
GEAR-METER SCREW,8T (Ref # 41060A)	41060-1134	1
AXLE,FR (Ref # 41068)	41068-1421	1
CASE-ASSY-METER GEAR (Ref # 41078)	41078-1087	1
NUT,CASTLE,14MM (Ref # 92015)	92015-1765	1
WASHER,20X29X1.0 (Ref # 92022)	92022-1510	1
WASHER,5X9.5X0.8 (Ref # 92022A)	92022-1511	1
COLLAR,L=70 (Ref # 92027)	92027-1866	1
RING-SNAP,19MM (Ref # 92033)	92033-1160	1
PIN,SPRING,2X14 (Ref # 92043)	92043-1220	1
SEAL-OIL,SD42 50 6 (Ref # 92049)	92049-1173	1
SEAL-OIL,22X35X8 (Ref # 92049A)	92049-1348	1
BUSHING-METER GEAR (Ref # 92087)	92087-1051	1
COLLAR,FR AXLE,L=23.5 (Ref # 92143)	92143-1949	1
WASHER,15X30X3.2 (Ref # 92200)	92200-1366	1