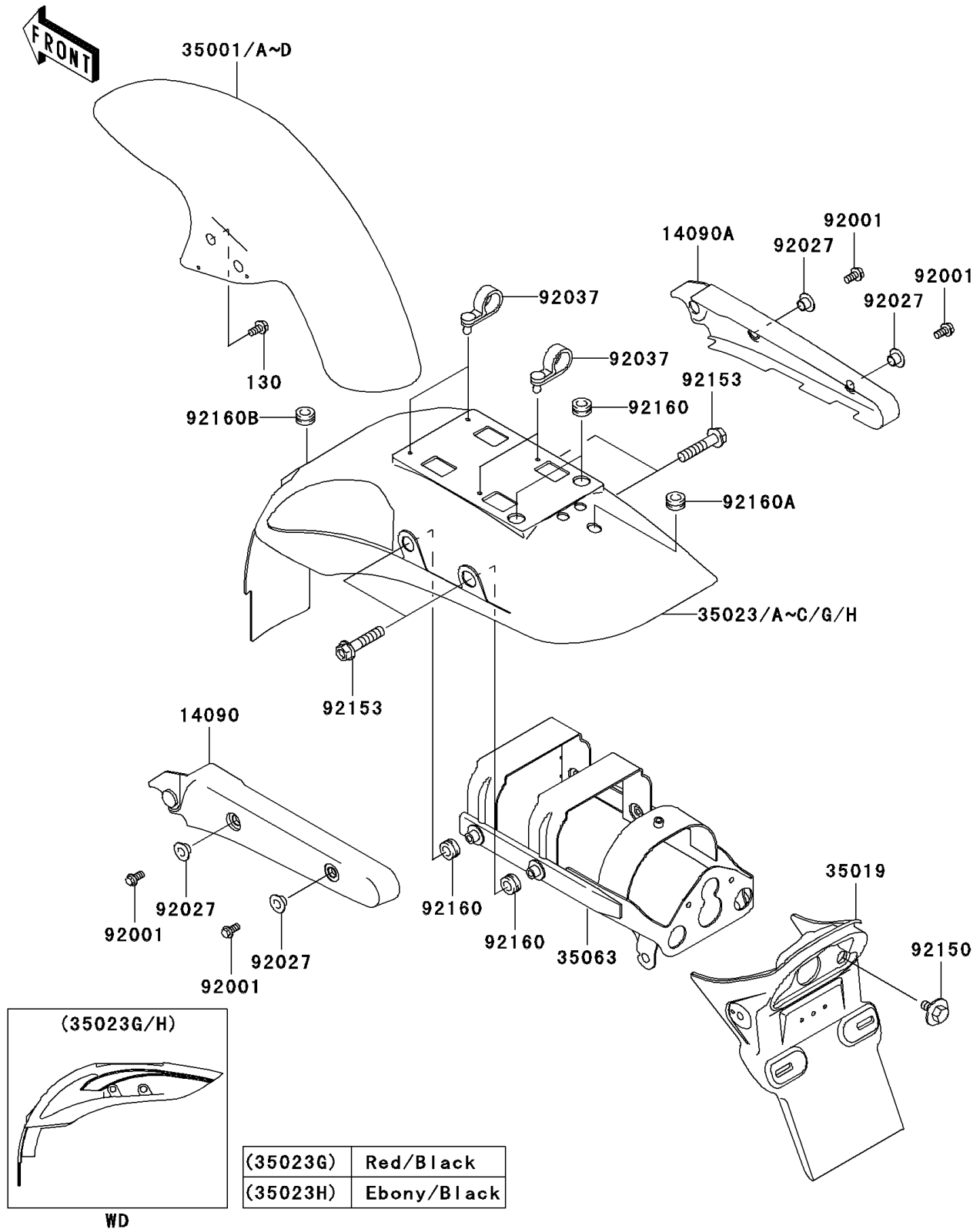


2001 Eliminator® 125 PARTS DIAGRAM

Fenders

F2170



2001 Eliminator® 125 PARTS LIST

Fenders

ITEM NAME	PART NUMBER	QUANTITY
BOLT-FLANGED,8X16,BLACK (Ref # 130)	130J0816	1
COVER,REAR FENDER,LH (Ref # 14090)	14090-1836	1
COVER,REAR FENDER,RH (Ref # 14090A)	14090-1837	1
FENDER-ASSY-FRONT,EBONY (Ref # 35001A)	35001-1192-IG	1
FENDER-ASSY-FRONT,C.T.RED (Ref # 35001B)	35001-1192-I7	1
FLAP (Ref # 35019)	35019-1382	1
FENDER-REAR,RED/BLACK (Ref # 35023)	35023-1496-163	1
FENDER-REAR,EBONY/BLACK (Ref # 35023H)	35023-5092-IH	1
STAY,REAR FENDER (Ref # 35063)	35063-1145	1
BOLT,8X16 (Ref # 92001)	92001-1897	1
COLLAR (Ref # 92027)	92027-1745	1
CLAMP,SPEED,L=58 (Ref # 92037)	92037-1163	1
BOLT,6X14 (Ref # 92150)	92150-1133	1
BOLT,FLANGED,8X38 (Ref # 92153)	92153-1074	1
DAMPER (Ref # 92160)	92160-1847	1
DAMPER (Ref # 92160A)	92160-1864	1
DAMPER (Ref # 92160B)	92160-1893	1