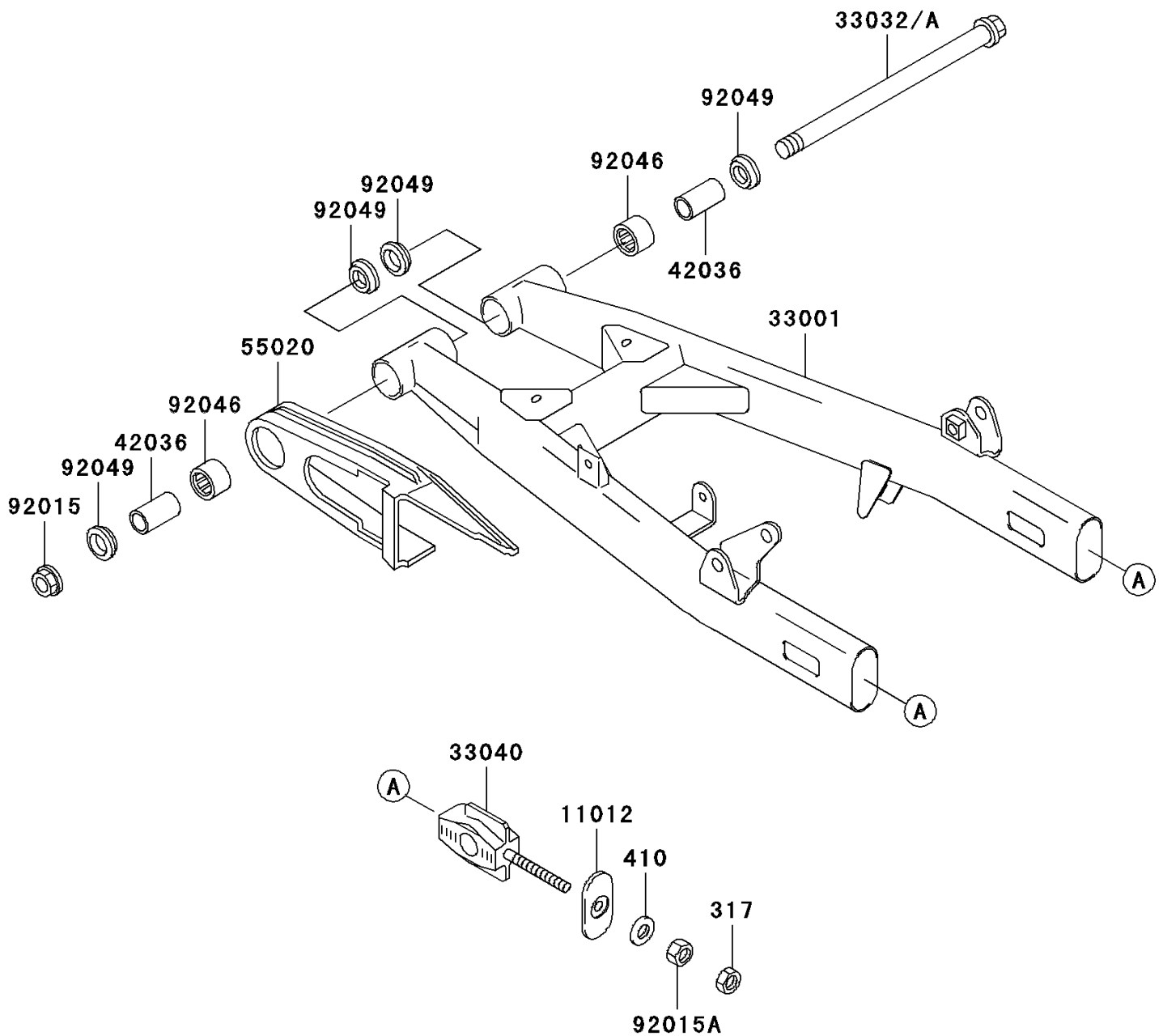


2001 Eliminator® 125 PARTS DIAGRAM

Swingarm

F2141



2001 Eliminator® 125 PARTS LIST

Swingarm

ITEM NAME	PART NUMBER	QUANTITY
NUT-HEX-SMALL,8MM,BLACK (Ref # 317)	317C0800	1
WASHER-PLAIN-SMALL,8MM,BLACK (Ref # 410)	410F0800	1
CAP,CHAIN ADJUSTER (Ref # 11012)	11012-1819	1
ARM-COMP-SWING (Ref # 33001)	33001-1599	1
SHAFT-SWING ARM (Ref # 33032A)	33032-1109	1
ADJUSTER-CHAIN,INNER (Ref # 33040)	33040-1178	1
SLEEVE,14.1X22X57 (Ref # 42036)	42036-1371	1
GUARD,CHAIN (Ref # 55020)	55020-1689	1
NUT,14MM (Ref # 92015)	92015-1407	1
NUT,8MM (Ref # 92015A)	92015-1959	1
BEARING-NEEDLE,TA2230Z (Ref # 92046)	92046-1174	1
SEAL-OIL,MHA22X29X5.7F (Ref # 92049)	92049-1289	1