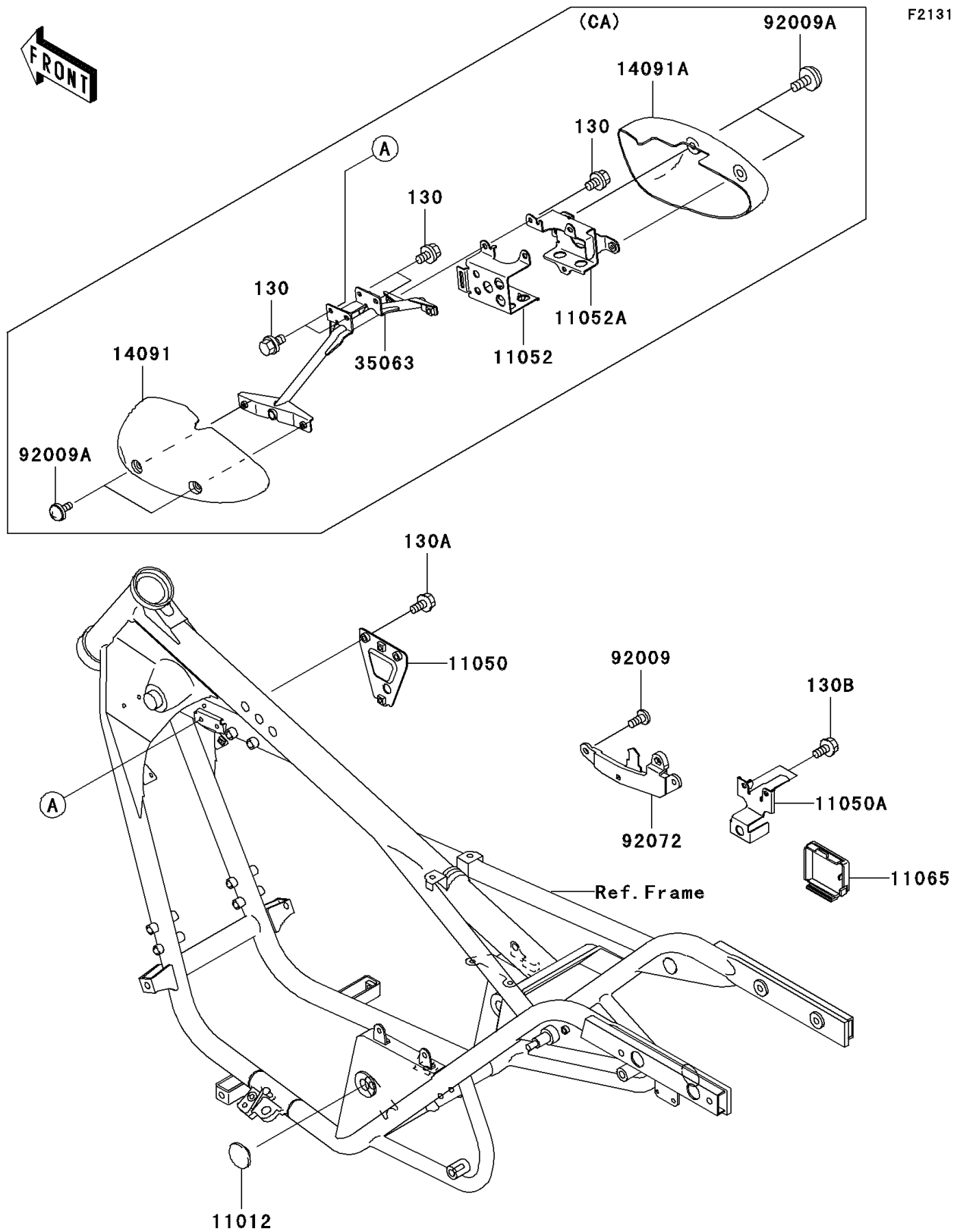


## 2001 Eliminator® 125 PARTS DIAGRAM

Frame Fittings



F2131

## 2001 Eliminator® 125 PARTS LIST

Frame Fittings

ITEM NAME	PART NUMBER	QUANTITY
BOLT-FLANGED (Ref # 130A)	130J0612	1
BOLT-FLANGED,6X16,BLACK (Ref # 130B)	130J0616	1
CAP,PIVOT (Ref # 11012)	11012-1821	1
BRACKET,IGNITER (Ref # 11050)	11050-1383	1
BRACKET,ELECTRIC (Ref # 11050A)	11050-1526	1
CAP,TOOL CASE (Ref # 11065)	11065-1068	1
SCREW,6X16 (Ref # 92009)	92009-1621	1
BAND (Ref # 92072)	92072-1348	1