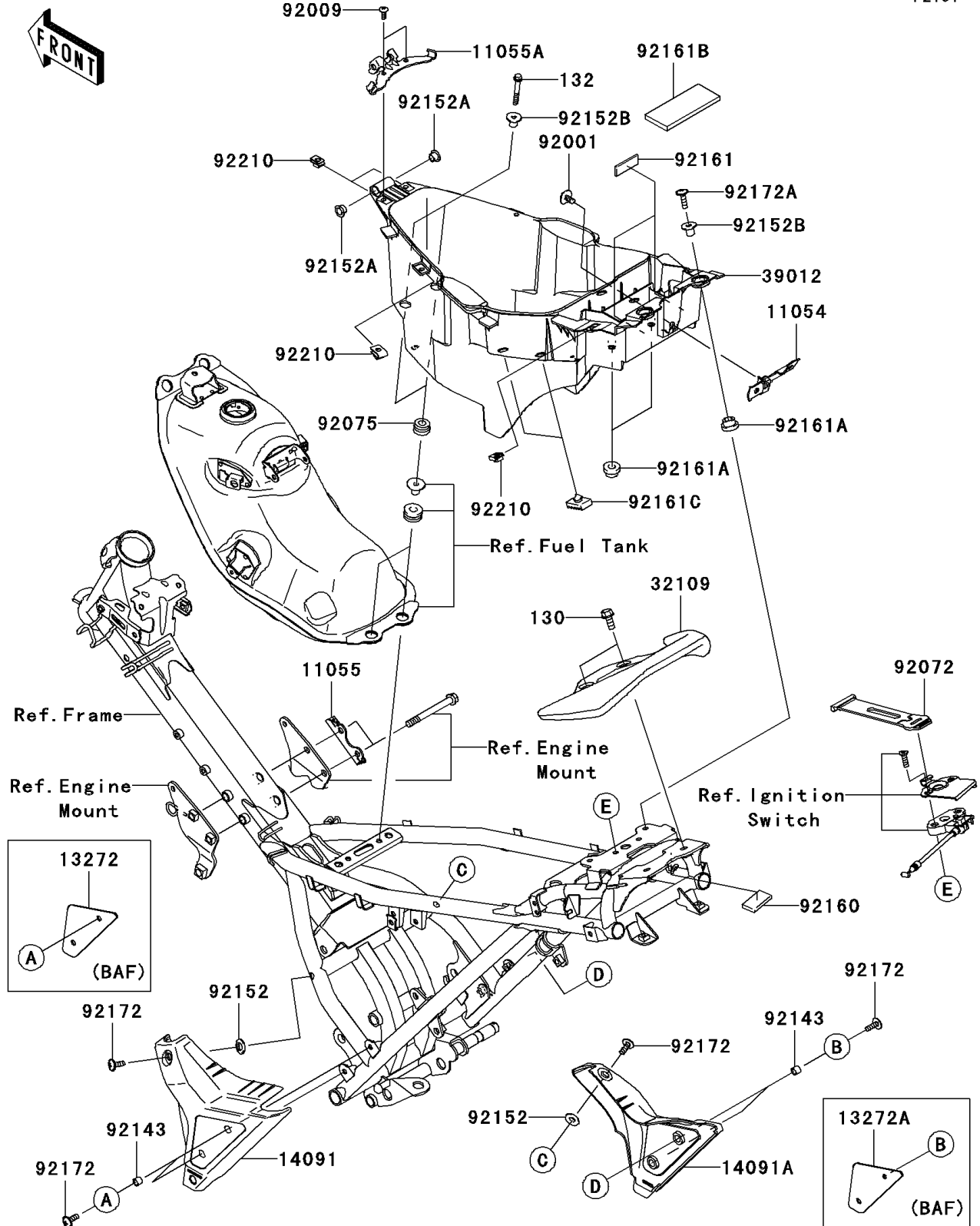


2010 KAZE HIT PARTS DIAGRAM

Frame Fittings

F2131



2010 KAZE HIT PARTS LIST

Frame Fittings

ITEM NAME	PART NUMBER	QUANTITY
BOLT-FLANGED,8X18 (Ref # 130)	130BA0818	1
BOLT-FLANGED-SMALL,6X40 (Ref # 132)	132BB0640	1
BRACKET,ELECTRIC DEVICE (Ref # 11054)	11054-1681	1
BRACKET,IGNITION COIL (Ref # 11055)	11055-0506	1
BRACKET,HELMET HOOK (Ref # 11055A)	11055-1371	1
COVER,PIVOT,LH (Ref # 14091)	14091-0769	1
COVER,PIVOT,RH (Ref # 14091A)	14091-0770	1
GRIP-FRAME,P.SILVER (Ref # 32109)	32109-0025-458	1
CASE-STORAGE (Ref # 39012)	39012-0016	1
BOLT,6X14,BLACK (Ref # 92001)	92001-1847	1
SCREW,5X14,WHITE (Ref # 92009)	92009-1366	1
BAND,BATTERY (Ref # 92072)	92072-0110	1
DAMPER,RUBBER (Ref # 92075)	92075-1123	1
COLLAR,6.8X10X7.5 (Ref # 92143)	92143-1939	1
COLLAR (Ref # 92152)	92152-0140	1
COLLAR,8.2X10.6X6.9 (Ref # 92152A)	92152-0306	1
COLLAR (Ref # 92152B)	92152-0332	1
DAMPER (Ref # 92160)	92160-1559	1
DAMPER (Ref # 92161)	92161-0301	1
DAMPER (Ref # 92161A)	92161-0501	1
DAMPER,BATTERY (Ref # 92161B)	92161-0686	1
DAMPER (Ref # 92161C)	92161-1282	1
SCREW,6X18 (Ref # 92172)	92172-0192	1
SCREW,6X22 (Ref # 92172A)	92172-0373	1
NUT,PLATE,5MM (Ref # 92210)	92210-0262	1