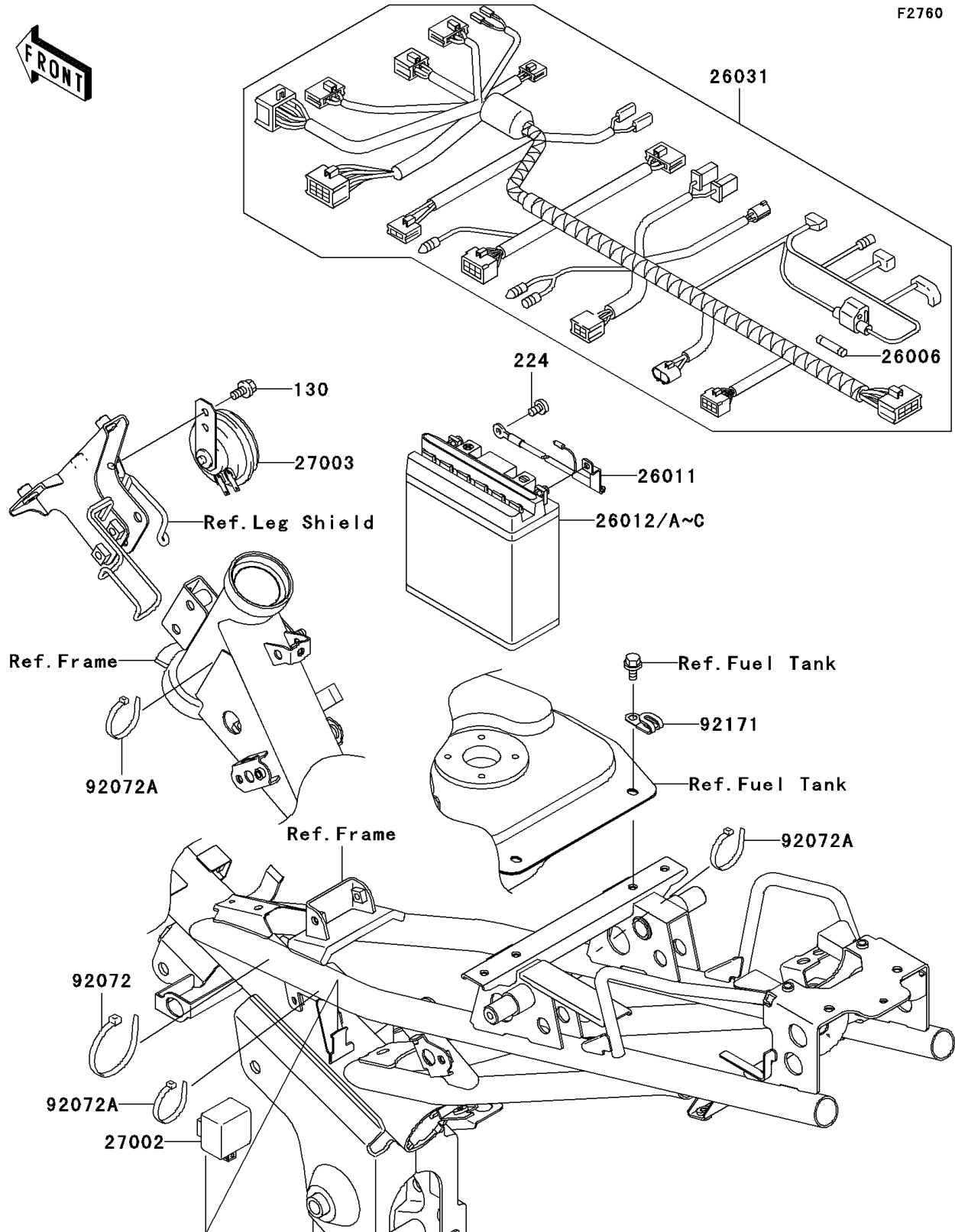


2008 KAZE HIT PARTS DIAGRAM

Chassis Electrical Equipment

F2760



2008 KAZE HIT PARTS LIST

Chassis Electrical Equipment

ITEM NAME	PART NUMBER	QUANTITY
BOLT-FLANGED,6X12 (Ref # 130)	130BB0612	1
SCREW-PAN-WP-CROS,6X10 (Ref # 224)	224AA0610	1
FUSE,GLASS TUBE,6.4X30,10A,YEL (Ref # 26006)	26006-1002	1
WIRE-LEAD,BATTERY(-) (Ref # 26011)	26011-1828	1
BATTERY,YB5L-B,12V 5AH (Ref # 26012)	26012-0057	1
BATTERY,YB5L-B,12V 5AH (Ref # 26012A)	26012-0058	1
BATTERY,YB5L-B,12V 5AH (Ref # 26012B)	26012-1295	1
BATTERY,GM5Z-3B,12V 5AH (Ref # 26012C)	26012-1316	1
HARNESS,MAIN (Ref # 26031)	26031-0132	1
RELAY-ASSY (Ref # 27002)	27002-1091	1
HORN (Ref # 27003)	27003-0017	1
BAND,L=250 (Ref # 92072)	92072-1237	1
BAND,L=140 (Ref # 92072A)	92072-1293	1
CLAMP (Ref # 92171)	92171-1296	1