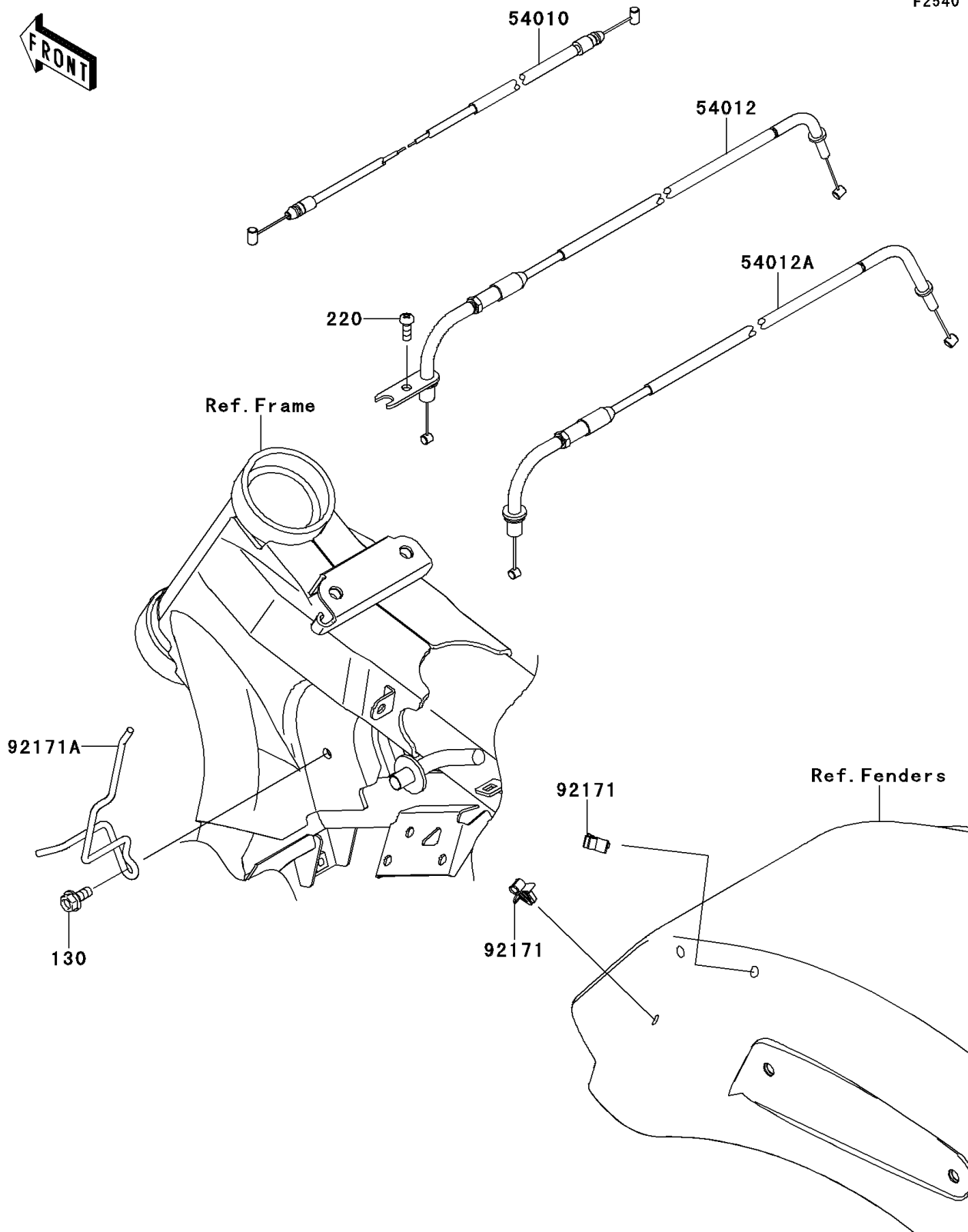


658 PARTS DIAGRAM

Cables

F2540



658 PARTS LIST

Cables

ITEM NAME	PART NUMBER	QUANTITY
-----------	-------------	----------